

DIECI



AGRI PLUS

42.7 | 40.10



dieci.com

PERFORMANCE

Vehicle model	AGRI PLUS 42.7 VS EVO2 - GD	AGRI PLUS 40.10 VS EVO2 - GD
Maximum capacity	4200 kg (9259 lb)	4000 kg (8818 lb)
Maximum lifting height	7.2 m (23.6 ft)	9.7 m (31.8 ft)
Maximum horizontal extension	3.8 m (12.5 ft)	6 m (19.7 ft)
Fork swiveling angle	146°	146°
Pull-out force	8000 daN (17985 lbf)	8000 daN (17985 lbf)
Towing force	8900 daN (20008 lbf)	8900 daN (20008 lbf)
Unladen mass	8500 kg (18739 lb)	9180 kg (20238 lb)
Maximum climb angle	45%	45%
Max speed (referred to wheels with maximum permitted diameter)	40 km/h (24.9 mph)	40 km/h (24.9 mph)

BOOM

Vehicle model	AGRI PLUS 42.7 VS EVO2 - GD	AGRI PLUS 40.10 VS EVO2 - GD
Lifting	6.9 s	7.4 s
Descent	6.1 s	6.5 s
Extension	5.8 s	8.4 s
Retraction	4.8 s	7.6 s
Forward swiveling	3 s	3 s
Reverse swiveling	2.6 s	2.6 s

ENGINE

Vehicle model	AGRI PLUS 42.7 VS EVO2 - GD	AGRI PLUS 40.10 VS EVO2 - GD
Brand	FPT	FPT
Nominal power	103 kW (138 HP)	103 kW (138 HP)
@rpm	2200 rpm	2200 rpm
Peak power	114 kW (153 HP)	114 kW (153 HP)
@rpm	1800 rpm	1800 rpm
Operation	4-stroke	4-stroke
Injection	4-Stroke Electronic Injection, Common Rail	4-Stroke Electronic Injection, Common Rail
Number and arrangement of cylinders	4, Vertical in line	4, Vertical in line
Displacement	4485 cm ³ (274 in ³)	4485 cm ³ (274 in ³)
Consumption	212 g/kWh (348.74 lb/Hp h)	212 g/kWh (348.74 lb/Hp h)
@rpm	2200 rpm	2200 rpm
Emission standard	Stage V	Stage V
Exhaust gas treatment	DOC+SCRoF (with AdBlue)	DOC+SCRoF (with AdBlue)
Cooling system	Liquid	Liquid
Intake	16-valve turbocharger with aftercooler	16-valve turbocharger with aftercooler

DIFFERENTIAL AXLES

Vehicle model	AGRI PLUS 42.7 VS EVO2 - GD	AGRI PLUS 40.10 VS EVO2 - GD
Type of axles	2 steering, with 4 epicycloidal reduction gears	2 steering, with 4 epicycloidal reduction gears
Type of steering	4 wheels / transversal / 2 wheels	4 wheels / transversal / 2 wheels
FRONT AXLE	Rigid (Levelling upon request)	Leveling
Rear axle	Swinging	Swinging
Service braking	Oil bath with servo brake on front and rear axle with double hydraulic system	Oil bath with servo brake on front and rear axle with double hydraulic system
Parking braking	Negative actuation with electronic control	Negative actuation with electronic control

HYDRAULIC SYSTEM

Vehicle model	AGRI PLUS 42.7 VS EVO2 - GD	AGRI PLUS 40.10 VS EVO2 - GD
Hydraulic pump type	Piston pump with variable flow rate for power steering and movements. Gear pumps for Fan Drive with fan reversal.	Piston pump with variable flow rate for power steering and movements. Gear pumps for Fan Drive with fan reversal.
Hydraulic pump capacity	224 l/min (59.2 gal/min)	224 l/min (59.2 gal/min)
Max. operating pressure	26 MPa (3771 psi)	26 MPa (3771 psi)
Distributor control	4 in 1 proportional electrical Joystick with FNR	4 in 1 proportional electrical Joystick with FNR

REFUELING

Vehicle model	AGRI PLUS 42.7 VS EVO2 - GD	AGRI PLUS 40.10 VS EVO2 - GD
Hydraulic system (total)	190 l (50,19 gal)	190 l (50,19 gal)
FUEL TANK	175 l (46,23 gal)	175 l (46,23 gal)
AdBlue tank	35 l (9,25 gal)	35 l (9,25 gal)

TRANSMISSION

Vehicle model	AGRI PLUS 42.7 VS EVO2 - GD	AGRI PLUS 40.10 VS EVO2 - GD
Transmission type	Hydrostatic Vario System EVO2 electronically controlled with 2 hydrostatic motors with continuous automatic adjustment	Hydrostatic Vario System EVO2 electronically controlled with 2 hydrostatic motors with continuous automatic adjustment
Reversal	With electronic control operated with vehicle in motion	With electronic control operated with vehicle in motion
Inching	With electronic pedal for controlled forward movement	With electronic pedal for controlled forward movement
Drive mode	Automotive, Eco, Loader, Creeper	Automotive, Eco, Loader, Creeper

TOWING CAPACITY

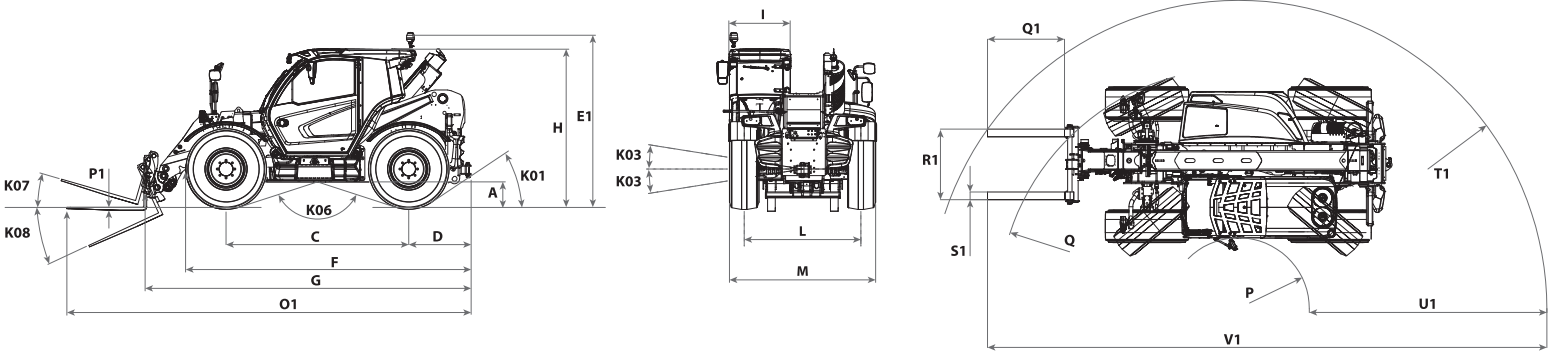
Vehicle model	AGRI PLUS 42.7 VS EVO2 - GD	AGRI PLUS 40.10 VS EVO2 - GD
Unbraked trailer	3200 kg (7055 lb)	3200 kg (7055 lb)
Inertia braking	8000 kg (17637 lb)	8000 kg (17637 lb)
Hydraulic/pneumatic braking	20000 kg (44092 lb)	20000 kg (44092 lb)

TIRES

Vehicle model	AGRI PLUS 42.7 VS EVO2 - GD	AGRI PLUS 40.10 VS EVO2 - GD
Standard tires	460/70xR24" (17.5LR24")	460/70xR24" (17.5LR24")

DIMENSIONS

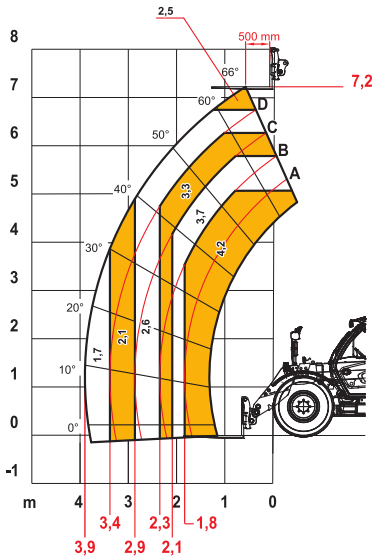
Vehicle model	AGRI PLUS 42.7 VS EVO2 - GD	AGRI PLUS 40.10 VS EVO2 - GD
A	400 mm (15.7 in)	400 mm (15.7 in)
C	2850 mm (112.2 in)	2850 mm (112.2 in)
D	975 mm (38.4 in)	975 mm (38.4 in)
E1	2670 mm (105.1 in)	2670 mm (105.1 in)
F	4456 mm (175.4 in)	4456 mm (175.4 in)
G	5109 mm (201.1 in)	5133 mm (202.1 in)
H	2450 mm (96.5 in)	2450 mm (96.5 in)
L	1820 mm (71.7 in)	1820 mm (71.7 in)
I	960 mm (37.8 in)	960 mm (37.8 in)
K01	34°	34°
K03	9°	9°
K06	144°	144°
K07	16°	16°
K08	130°	130°
M	2290 mm (90.2 in)	2290 mm (90.2 in)
O1	6309 mm (248.4 in)	6333 mm (249.3 in)
P	1107 mm (43.6 in)	1107 mm (43.6 in)
P1	45 mm (1.8 in)	45 mm (1.8 in)
Q	3753 mm (147.8 in)	3753 mm (147.8 in)
Q1	1200 mm (47.2 in)	1200 mm (47.2 in)
R1	1100 mm (43.3 in)	1100 mm (43.3 in)
S1	120 mm (4.7 in)	120 mm (4.7 in)
T1	4813 mm (189.5 in)	4834 mm (190.3 in)
U1	3706 mm (145.9 in)	3721 mm (146.5 in)
V1	8727 mm (343.6 in)	8755 mm (344.7 in)



MAX
4200 kg



DOC10001730



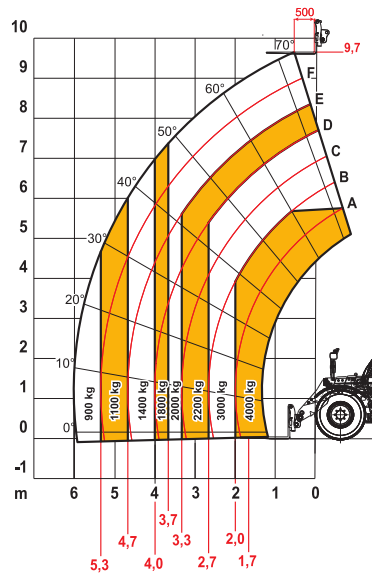
EN1459

42.7

MAX
4000 kg



DOC10001729



EN1459

40.10