

DIECI



MINI AGRI

26.6



dieci.com

PERFORMANCE

Vehicle model	MINI AGRI 26.6
Maximum capacity	2600 kg (5732 lb)
Maximum lifting height	5.68 m (18.6 ft)
Maximum horizontal extension	3.2 m (10.5 ft)
Fork swiveling angle	129°
Pull-out force	5510 daN (12387 lbf)
Towing force	4400 daN (9892 lbf)
Unladen mass	5100 kg (11244 lb)
Maximum climb angle	40%
Max speed (referred to wheels with maximum permitted diameter)	30 km/h (18.6 mph)

BOOM

Vehicle model	MINI AGRI 26.6
Lifting	9,34 s
Descent	4,86 s
Extension	7,3 s
Retraction	4,06 s
Forward swiveling	4,22 s
Reverse swiveling	2,66 s

ENGINE

Vehicle model	MINI AGRI 26.6
Brand	Kubota
Nominal power	55 kW (74 HP)
@rpm	2600 rpm
Operation	4-stroke
Injection	Electronic, Common Rail
Number and arrangement of cylinders	4, Vertical in line
Displacement	3331 cm ³ (203 in ³)
Consumption	231 g/kWh (380.00 lb/Hp h)
@rpm	2600 rpm
Emission standard	Stage V/Tier 4f
Exhaust gas treatment	Catalyst + Particulate filter (DOC+DPF)
Cooling system	Liquid
Intake	Turbo compressor

DIFFERENTIAL AXLES

Vehicle model	MINI AGRI 26.6
Type of axles	2 steering, with 4 epicycloidal reduction gears
Type of steering	4 wheels / transversal / 2 wheels
FRONT AXLE	Rigid
Rear axle	Swinging
Service braking	Oil bath on front axle
Parking braking	Negative actuation with electrical control

HYDRAULIC SYSTEM

Vehicle model	MINI AGRI 26.6
Hydraulic pump type	Gear pump for power steering and movements
Hydraulic pump capacity	80 l/min (21.1 gal/min)
Max. operating pressure	23 MPa (3336 psi)
Distributor control	Proportional 4 in1 Joystick

REFUELING

Vehicle model	MINI AGRI 26.6
Hydraulic system (total)	85 l (22,45 gal)
FUEL TANK	75 l (19,81 gal)

TRANSMISSION

Vehicle model	MINI AGRI 26.6
Transmission type	Single speed Hydrostatic transmission with variable displacement pump
Reversal	Electro-Hydraulic
Inching	With hydraulic pedal for controlled forward movement

TOWING CAPACITY

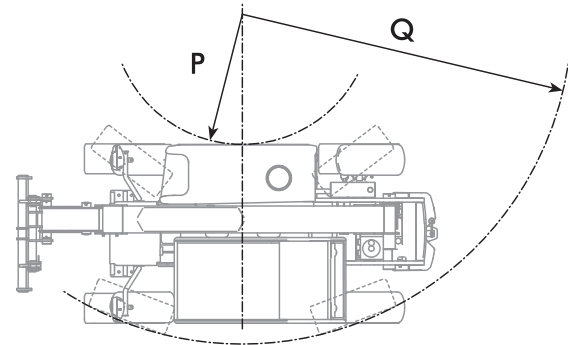
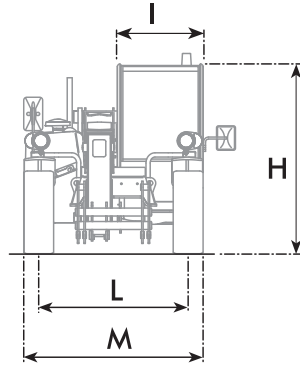
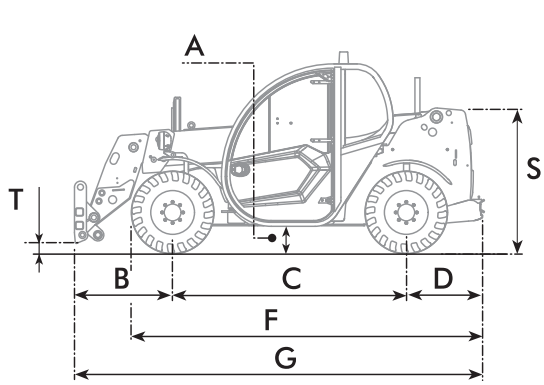
Vehicle model	MINI AGRI 26.6
---------------	----------------

TIRES

Vehicle model	MINI AGRI 26.6
Standard tires	12x16.5"

DIMENSIONS

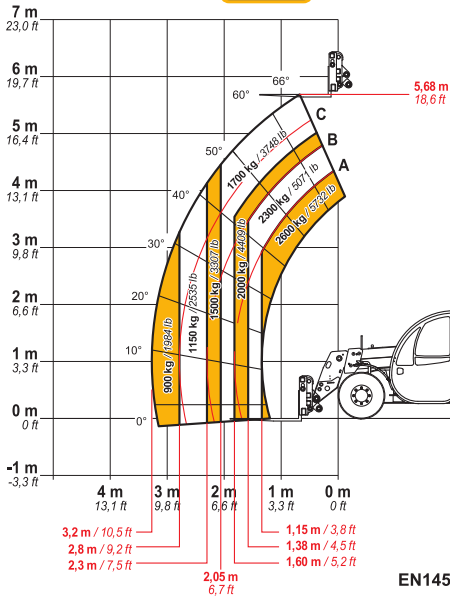
Vehicle model	MINI AGRI 26.6
A	235 mm (9.3 in)
B	985 mm (38.8 in)
C	2350 mm (92.5 in)
D	765 mm (30.1 in)
F	3535 mm (139.2 in)
G	4125 mm (162.4 in)
H	1915 mm (75.4 in)
L	1510 mm (59.4 in)
I	860 mm (33.9 in)
M	1840 mm (72.4 in)
P	1865 mm (73.4 in)
Q	3925 mm (154.5 in)
S	1430 mm (56.3 in)
T	70 mm (2.8 in)



MAX
2600 kg / 5732 lb



DOCCT0000822



EN1459 Annex-B

26.6