

KOMATSU

PC138US-11, PC210LC-11
PC240LC/NLC-11
Super long front specification

PC360LC-11
Long reach specification
Super long front specification



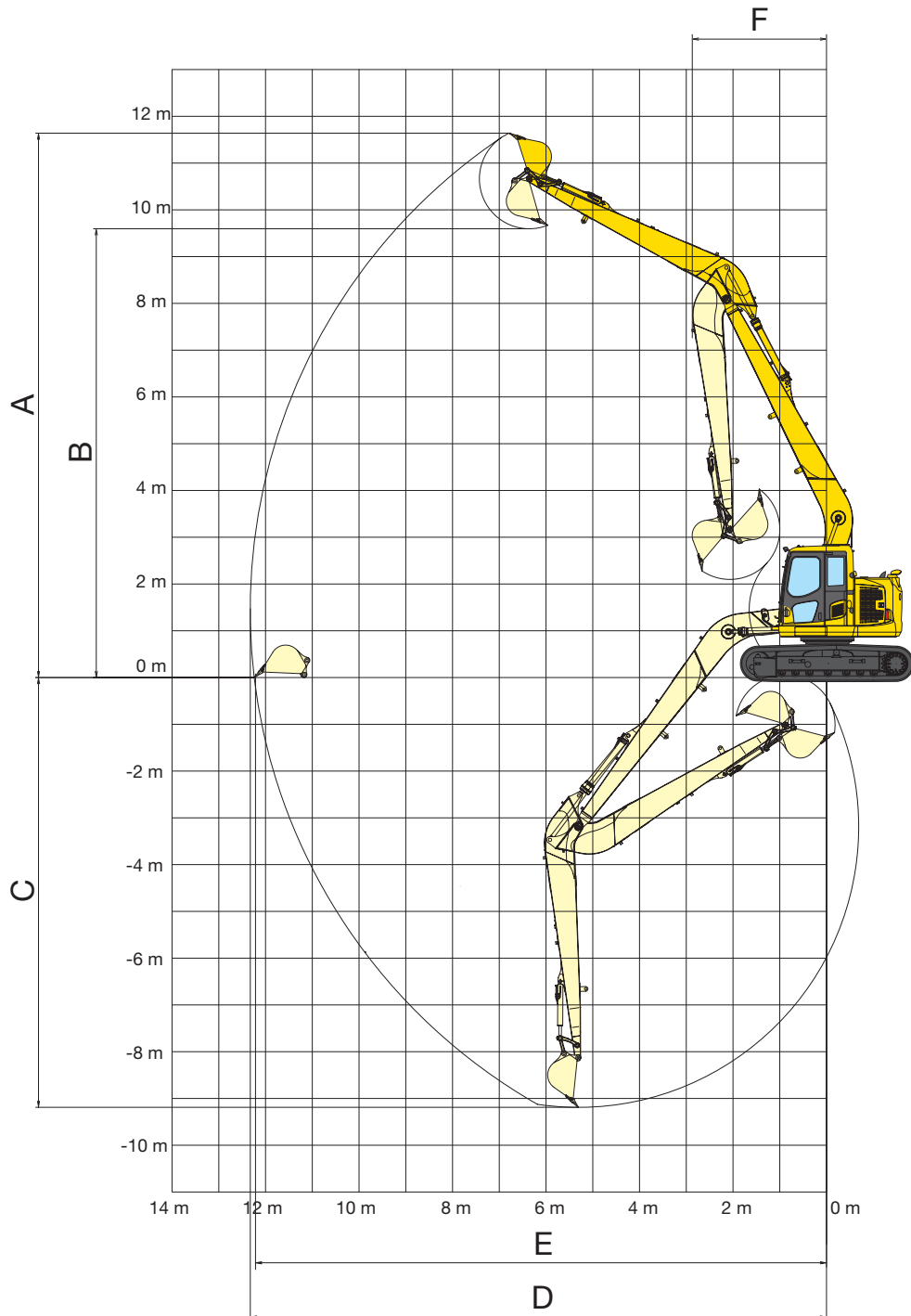
Hydraulic excavator

Engine power
72.6 kW / 97.3 HP - 202 kW / 271 HP

Operating weight
15100 kg - 43150 kg

Working range
12.3 m - 22.0 m

Super long front specification



Super long front

A	Max. digging height	11610 mm
B	Max. dumping height	9560 mm
C	Max. digging depth	9190 mm
D	Max. digging reach	12320 mm
E	Max. digging reach at ground level	12200 mm
F	Min. swing radius	2870 mm

Engine

Model	Komatsu SAA4D95LE-7
Type	Common rail direct injection, water-cooled, emissionised, turbocharged, after-cooled diesel
Engine power	
at rated engine speed	2050 rpm
ISO 14396	72.6 kW / 97.3 HP
ISO 9249 (net engine power)	72.5 kW / 97.2 HP
No. of cylinders	4
Bore × stroke	95 × 115 mm
Displacement	3.26 l
Air filter type	Double element type with monitor panel dust indicator and auto dust evacuator
Cooling	Suction type cooling fan with radiator fly screen
Fuel	Diesel fuel, conforming to EN590 Class 2/Grade D. Paraffinic fuel capability (HVO, GTL, BTL), conforming to EN 15940:2016

Hydraulic system

Type	HydrauMind. Closed-centre system with load sensing and pressure compensation valves
Additional circuits	High flow additional hydraulic circuit and low flow additional hydraulic circuit
Main pump	1 variable displacement piston pump supplying boom, arm, bucket, swing and travel circuits
Maximum pump flow	242 l/min
Relief valve settings	
Implement	355 kg/cm ²
Travel	355 kg/cm ²
Swing	265 kg/cm ²
Pilot circuit	33 kg/cm ²

Service refill capacities

Fuel tank	200 l
Radiator	16.1 l
Engine oil	11.5 l
Swing drive	2.5 l
Hydraulic tank	69 l
Final drive (each side)	2.1 l
AdBlue® tank	21.1 l

Operating weight (appr.)

	Operating weight	Ground pressure
Triple grouser shoes		
500 mm	14900 kg	0.49 kg/cm ²
600 mm	15100 kg	0.43 kg/cm ²
700 mm	15300 kg	0.38 kg/cm ²
500 mm road liner	15100 kg	0.49 kg/cm ²

Operating weight, including Super Long Front work equipment, 210 kg bucket, operator, lubricant, coolant, full fuel tank and the standard equipment.

Swing system

Type	Axial piston motor driving through planetary double reduction gearbox
Swing lock	Electrically actuated wet multidisc brake integrated into swing motor
Swing speed	0 - 11 rpm
Swing torque	33 kNm

Drives and brakes

Steering control	2 levers with pedals giving full independent control of each track
Drive method	Hydrostatic
Travel operation	Automatic 3-speed selection
Gradeability	70%, 35°
Max. travel speeds	
Lo / Hi	2.9 / 5.1 km/h
Maximum drawbar pull	12500 kg
Brake system	Hydraulically operated discs in each travel motor

Undercarriage

Construction	X-frame centre section with box section track frames
Track assembly	
Type	Fully sealed
Shoes (each side)	43
Tension	Combined spring and hydraulic unit
Rollers	
Track rollers (each side)	7
Carrier rollers (each side)	1

Environment

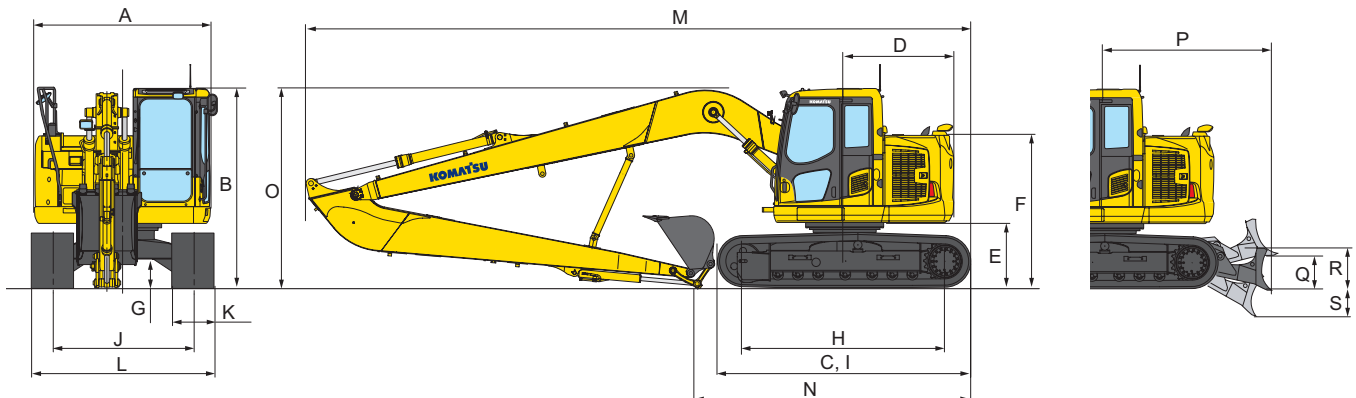
Engine emissions	Fully complies with EU Stage V exhaust emission regulations
Noise levels	
LwA external	99 dB(A) (2000/14/EC Stage II)
LpA operator ear	72 dB(A) (ISO 6396 dynamic test)
Vibration levels (EN 12096:1997)	
Hand/arm	≤ 2.5 m/s ² (uncertainty K = 0.63 m/s ²)
Body	≤ 0.5 m/s ² (uncertainty K = 0.25 m/s ²)
Contains fluorinated greenhouse gas HFC-134a (GWP 1430). Quantity of gas 0.8 kg; CO ₂ equivalent 1.14 t	

Dimensions PC138US-11

Machine dimensions

PC138US-11

A	Overall width of upper structure	2490 mm
B	Overall height of cab	2815 mm
C	Overall length of basic machine	3610 mm
D	Tail length	1540 mm
	Tail swing radius	1540 mm
E	Clearance under counterweight	900 mm
F	Machine tail height	2140 mm
G	Ground clearance	395 mm
H	Tumbler centre distance	2880 mm
I	Track length	3610 mm
J	Track gauge	1990 mm
K	Track shoe width	500, 600, 700 mm
L	Overall track width with 500 mm shoes	2490 mm
	Overall track width with 600 mm shoes	2590 mm
	Overall track width with 700 mm shoes	2690 mm
P	Distance, swing center to blade	2500 mm
Q	Blade, max. lifting height	470 mm
R	Height of blade	590 mm
S	Blade, max. digging depth	525 mm
	Blade width (with 500 mm shoes)	2490 mm
	Blade width (with 600 mm shoes)	2590 mm

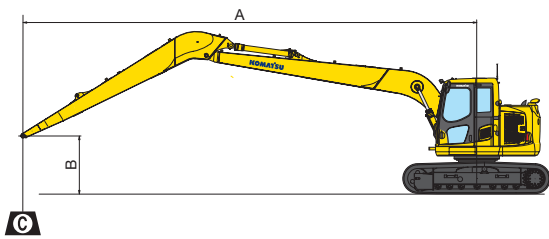


Transport dimensions

	Arm length	4930 mm
	Boom length	6490 mm
M	Transport length	9580 mm
N	Length on ground (transport)	4500 mm
O	Overall height (to top of boom)	2780 mm

Super long front specification With 500 mm shoes

B	A		10.5 m		9.0 m		7.5 m		6.0 m		4.5 m		3.0 m	
	Rating over front	Rating over side	Rating over front	Rating over side	Rating over front	Rating over side	Rating over front	Rating over side	Rating over front	Rating over side	Rating over front	Rating over side	Rating over front	Rating over side
7.5 m	kg	690	660		1210	1190	1510	1490						
6.0 m	kg	670	250		*1590	1410	*1690	1610						
4.5 m	kg	590	580	1060	1040	1810	1610	*1990	1810	2040	1960			
3.0 m	kg	590	580	1210	1180	1760	1410	*2140	1610	*2640	2310	*3340	3240	
1.5 m	kg	570	570	1160	1140	1810	1260	2060	1560	2260	2190	*3840	3110	*3240 *3240
0.0 m	kg	630	620	1160	1140	1690	1160	2030	1310	2210	2010	*3190	2790	*3090 *3090
-1.5 m	kg	*740	*740	1160	1110	1670	1160	2000	1260	2190	2010	*2640	2510	*2940 *2940
-3.0 m	kg	*840	*840			1630	1090	1990	1210	2230	1880	*2540	2410	*2940 *2940
-4.5 m	kg	*990	*990			1610	1080	1990	1210	2240	1690	*2840	2410	*2940 *2940



A – Reach from swing center

B – Bucket hook height

C – Lifting capacities

– Rating over front

– Rating over side

– Rating at maximum reach

Weights:

Bucket linkage and bucket cylinder: 100 kg

* Load is limited by hydraulic capacity rather than tipping. Ratings are based on ISO 10567:2007.

Rated loads do not exceed 87% of hydraulic lift capacity or 75% of tipping load.

Lifting capacity stated is based on lifting with bare arm. When lifting with additional equipment installed to the arm, please subtract the weight of all additional equipment from the values stated.

Bucket capacity table

PC138US-11

General purpose bucket

Max. bucket width	750 mm	
Max. bucket volume		
Material density up to 1.2 t/m ³	0.33 m ³	230 kg
Material density up to 1.5 t/m ³	0.28 m ³	210 kg

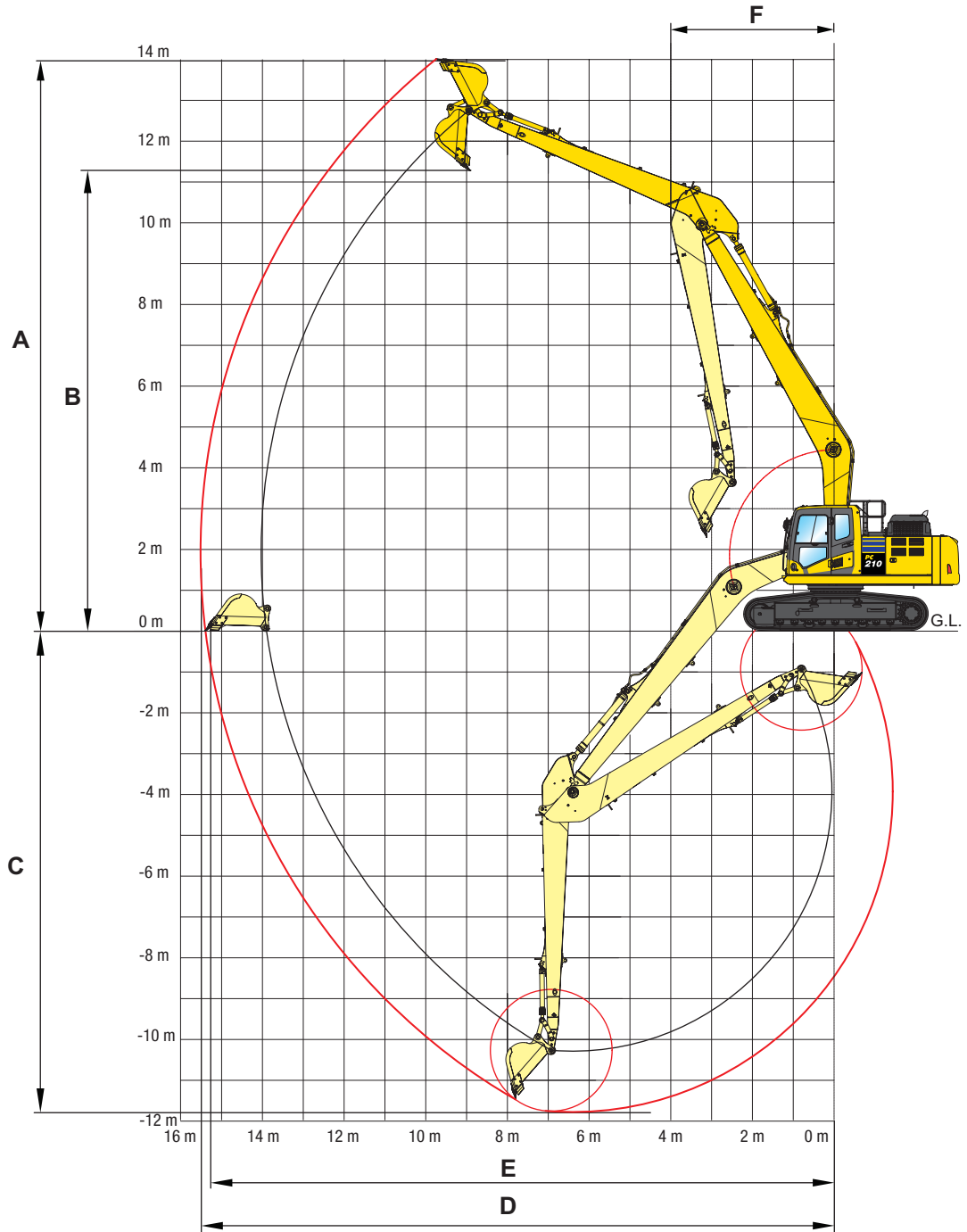
Ditch cleaning bucket

Max. bucket width	750 mm	
Maximum load at end of arm*	620 kg	

* Maximum load at end of arm (bucket + payload). Max. capacity and weight have been calculated according to ISO 10567:2007.

Please consult with your distributor for the correct selection of buckets and attachments to suit the application.

Super long front specification



Super long front

A	Max. digging height	13980 mm
B	Max. dumping height	11240 mm
C	Max. digging depth	11790 mm
D	Max. digging reach	15435 mm
E	Max. digging reach at ground level	15340 mm
F	Min. swing radius	4000 mm

Engine

Model	Komatsu SAA6D107E-3
Type	Common rail direct injection, water-cooled, emissionised, turbocharged, after-cooled diesel
Engine power	
at rated engine speed	2000 rpm
ISO 14396	123 kW / 165 HP
ISO 9249 (net engine power)	123 kW / 165 HP
No. of cylinders	6
Bore × stroke	107 × 124 mm
Displacement	6.69 l
Air filter type	Double element type with monitor panel dust indicator and auto dust evacuator
Cooling	Suction type cooling fan with radiator fly screen
Fuel	Diesel fuel, conforming to EN590 Class 2/Grade D. Paraffinic fuel capability (HVO, GTL, BTL), conforming to EN 15940:2016

Hydraulic system

Type	HydrauMind. Closed-centre system with load sensing and pressure compensation valves
Additional circuits	1 additional circuit for tilting buckets is fitted as standard
Main pump	2 variable displacement piston pumps supplying boom, arm, bucket, swing and travel circuits
Maximum pump flow	475 l/min
Relief valve settings	
Implement	380 kg/cm ²
Travel	380 kg/cm ²
Swing	295 kg/cm ²
Pilot circuit	33 kg/cm ²

Service refill capacities

Fuel tank	400 l
Radiator	30.7 l
Engine oil	23.1 l
Swing drive	6.5 l
Hydraulic tank	132 l
Final drive (each side)	5.0 l
AdBlue® tank	23.1 l

Operating weight (appr.)

Triple grouser shoes	Operating weight	Ground pressure
600 mm	23470 kg	0.49 kg/cm ²
700 mm	23740 kg	0.42 kg/cm ²
800 mm	24060 kg	0.38 kg/cm ²
900 mm	24330 kg	0.34 kg/cm ²

Operating weight, including Super Long Front work equipment, 370 kg bucket, operator, lubricant, coolant, full fuel tank and the standard equipment.

Swing system

Type	Axial piston motor driving through planetary double reduction gearbox
Swing lock	Electrically actuated wet multidisc brake integrated into swing motor
Swing speed	0 - 4.9 rpm
Swing torque	65 kNm

Drives and brakes

Steering control	2 levers with pedals giving full independent control of each track
Drive method	Hydrostatic
Travel operation	Automatic 3-speed selection
Gradeability	70%, 35°
Max. travel speeds	
Lo / Mi / Hi	3.0 / 4.1 / 5.5 km/h
Maximum drawbar pull	20600 kg
Brake system	Hydraulically operated discs in each travel motor

Undercarriage

Construction	X-frame centre section with box section track frames
Track assembly	
Type	Fully sealed
Shoes (each side)	49
Tension	Combined spring and hydraulic unit
Rollers	
Track rollers (each side)	9
Carrier rollers (each side)	2

Environment

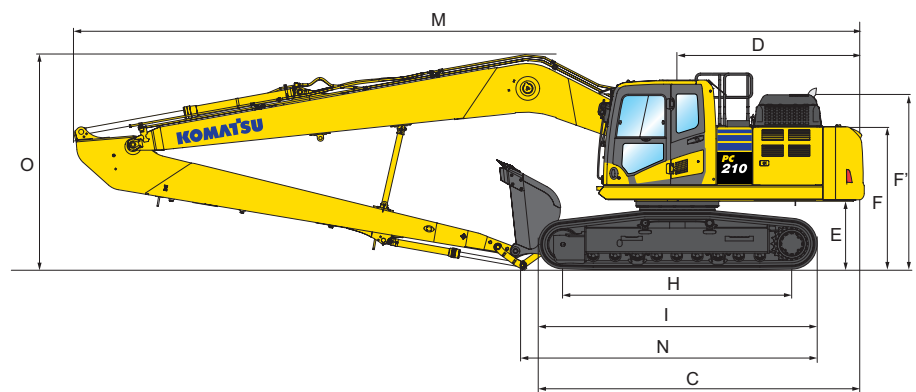
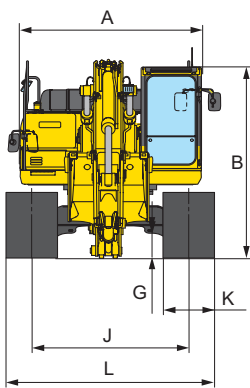
Engine emissions	Fully complies with EU Stage V exhaust emission regulations
Noise levels	
LwA external	100 dB(A) (2000/14/EC Stage II)
LpA operator ear	67 dB(A) (ISO 6396 dynamic test)
Vibration levels (EN 12096:1997)	
Hand/arm	≤ 2.5 m/s ² (uncertainty K = 0.49 m/s ²)
Body	≤ 0.5 m/s ² (uncertainty K = 0.24 m/s ²)
Contains fluorinated greenhouse gas HFC-134a (GWP 1430). Quantity of gas 0.9 kg; CO ₂ equivalent 1.29 t	

Dimensions PC210LC-11

Machine dimensions

PC210LC-11

A	Overall width of upper structure	2705 mm
B	Overall height of cab	3045 mm
C	Overall length of basic machine	5215 mm
D	Tail length	2990 mm
	Tail swing radius	3020 mm
E	Clearance under counterweight	1085 mm
F	Machine tail height	2250 mm
F'	Machine tail height (top of engine cover)	2765 mm
G	Ground clearance	440 mm
H	Tumbler centre distance	3655 mm
I	Track length	4450 mm
J	Track gauge	2380 mm
K	Track shoe width	600, 700, 800, 900 mm
L	Overall track width with 600 mm shoes	2980 mm
	Overall track width with 700 mm shoes	3080 mm
	Overall track width with 800 mm shoes	3180 mm
	Overall track width with 900 mm shoes	3280 mm

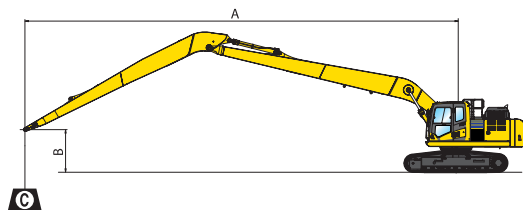


Transport dimensions

	Arm length	7395 mm
	Boom length	8795 mm
M	Transport length	12590 mm
N	Length on ground (transport)	4705 mm
O	Overall height (to top of boom)	3560 mm

Super long front specification With 700 mm shoes

A	⊗		13.0 m		12.0 m		11.0 m		10.0 m		9.0 m		8.0 m		7.0 m		6.0 m		
	📏	📏	📏	📏	📏	📏	📏	📏	📏	📏	📏	📏	📏	📏	📏	📏	📏	📏	
10.0 m	kg	*1300	*1300					*1800	*1800	*2000	*2000								
9.0 m	kg	*1300	*1300					*2100	*2100	*2000	*2000								
6.0 m	kg	*1250	*1250	*1850	1750	*2250	2050	*2300	*2300	*2300	*2300	*2350	*2350						
3.0 m	kg	*1350	*1350	*2500	1650	*2600	1900	*2700	2200	*2850	2600	*3050	*3050	*3350	*3350	*3700	*3700	*4250	*4250
0.0 m	kg	*1550	1300	2450	1500	2800	1700	*3150	2000	*3450	2300	*3850	2700	*4350	3200	*5050	3850	*6100	4700
-3.0 m	kg	*2000	1400	2350	1400	2650	1600	3000	1850	3450	2100	4000	2450	4750	2900	5750	3450	*6950	4250
-6.0 m	kg	2800	1700					3000	1800	3400	2050	3950	2400	4650	2850	5650	3400	*6900	4250
-9.0 m	kg	*3700	2650											*4250	3050	*4950	3650	*5800	4550



- A – Reach from swing center
 - B – Bucket hook height
 - C – Lifting capacities
- Weights:
Bucket linkage and bucket cylinder: 195 kg
- 📏 – Rating over front
 - 📏 – Rating over side
 - ⊗ – Rating at maximum reach

* Load is limited by hydraulic capacity rather than tipping. Ratings are based on ISO 10567:2007. Rated loads do not exceed 87% of hydraulic lift capacity or 75% of tipping load. Lifting capacity stated is based on lifting with bare arm. When lifting with additional equipment installed to the arm, please subtract the weight of all additional equipment from the values stated.

Bucket capacity table

PC210LC-11

General purpose bucket

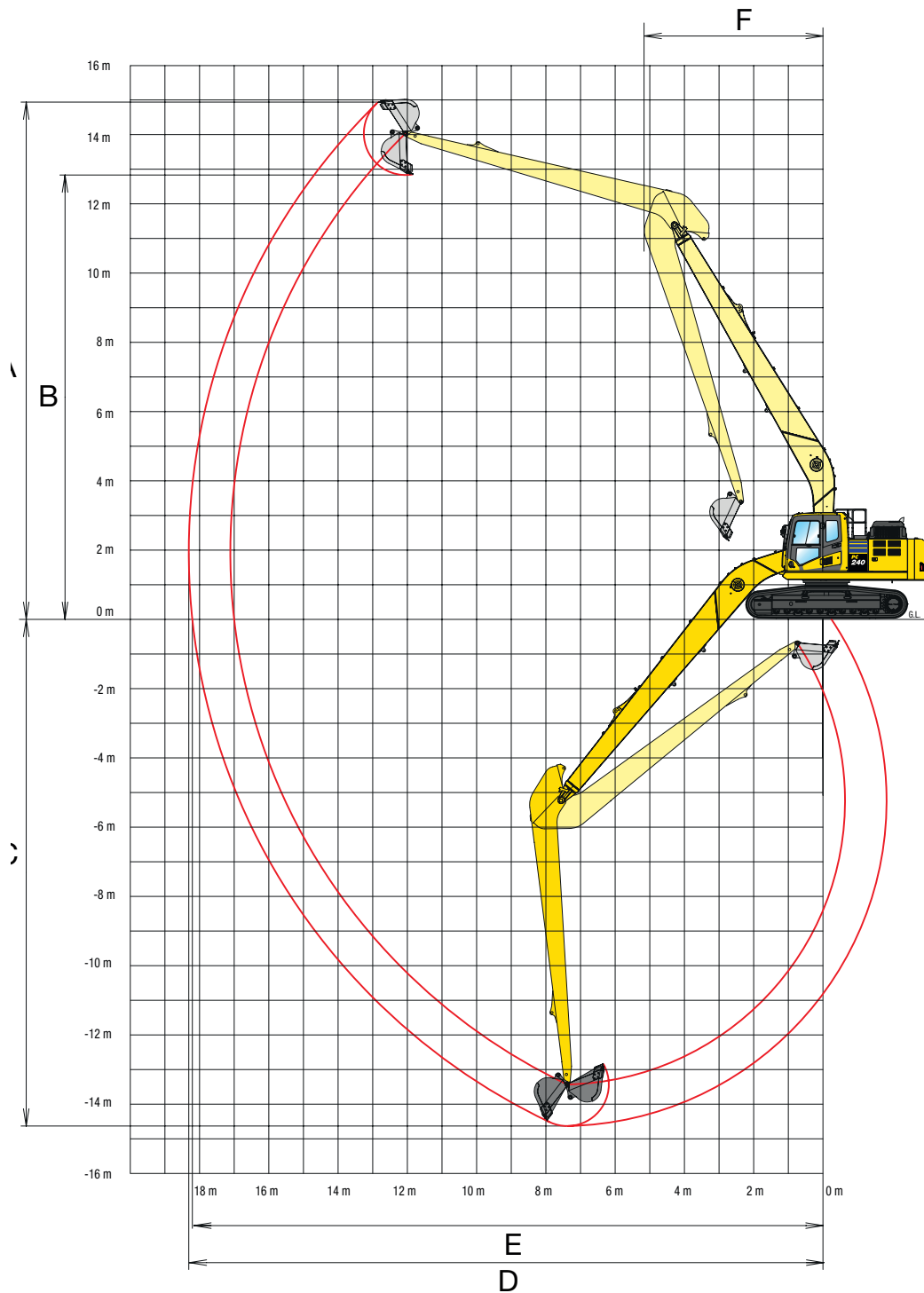
Max. bucket width	955 mm	
Max bucket volume		
Material density up to 1.2 t/m ³	0.66 m ³	525 kg
Material density up to 1.5 t/m ³	0.56 m ³	475 kg
Material density up to 1.8 t/m ³	0.49 m ³	425 kg

Ditch cleaning bucket

Max. bucket width	2100 mm	
Maximum load at end of arm*	1300 kg	

* Maximum load at end of arm (bucket + payload). Max. capacity and weight have been calculated according to ISO 10567:2007. Please consult with your distributor for the correct selection of buckets and attachments to suit the application.

Super long front specification



Super long front

A	Max. digging height	14970 mm
B	Max. dumping height	12860 mm
C	Max. digging depth	14635 mm
D	Max. digging reach	18290 mm
E	Max. digging reach at ground level	18190 mm
F	Min. swing radius	5195 mm

Specifications PC240LC/NLC-11

Engine

Model	Komatsu SAA6D107E-3
Type	Common rail direct injection, water-cooled, emissionised, turbocharged, after-cooled diesel
Engine power	
at rated engine speed	2000 rpm
ISO 14396	141 kW / 189 HP
ISO 9249 (net engine power)	132 kW / 177 HP
No. of cylinders	6
Bore × stroke	107 × 124 mm
Displacement	6.69 l
Air filter type	Double element type with monitor panel dust indicator and auto dust evacuator
Cooling	Suction type cooling fan with radiator fly screen
Fuel	Diesel fuel, conforming to EN590 Class 2/Grade D. Paraffinic fuel capability (HVO, GTL, BTL), conforming to EN 15940:2016

Hydraulic system

Type	HydrauMind. Closed-centre system with load sensing and pressure compensation valves
Additional circuits	1 additional circuit for tilting buckets is fitted as standard
Main pump	2 variable displacement piston pumps supplying boom, arm, bucket, swing and travel circuits
Maximum pump flow	2 × 237.5 l/min
Relief valve settings	
Implement	380 kg/cm ²
Travel	380 kg/cm ²
Swing	295 kg/cm ²
Pilot circuit	33 kg/cm ²

Service refill capacities

Fuel tank	400 l
Radiator	36.0 l
Engine oil	23.1 l
Swing drive	7.2 l
Hydraulic tank	132 l
Final drive (each side)	5.0 l
AdBlue® tank	23.1 l

Operating weight (appr.)

Triple grouser shoes	PC240LC-11		PC240NLC-11	
	Operating weight	Ground pressure	Operating weight	Ground pressure
600 mm	28000 kg	0.56 kg/cm ²	27400 kg	0.57 kg/cm ²
700 mm	28300 kg	0.48 kg/cm ²	27700 kg	0.50 kg/cm ²
800 mm	28600 kg	0.43 kg/cm ²	28000 kg	0.44 kg/cm ²
900 mm	28900 kg	0.38 kg/cm ²	-	-

Operating weight, including Super Long Front work equipment, 410 kg bucket, operator, lubricant, coolant, full fuel tank and the standard equipment.

Swing system

Type	Axial piston motor driving through planetary double reduction gearbox
Swing lock	Electrically actuated wet multidisc brake integrated into swing motor
Swing speed	0 - 4.3 rpm
Swing torque	75 kNm

Drives and brakes

Steering control	2 levers with pedals giving full independent control of each track
Drive method	Hydrostatic
Travel operation	Automatic 3-speed selection
Gradeability	70%, 35°
Max. travel speeds	
Lo / Mi / Hi	3.0 / 4.1 / 5.5 km/h
Maximum drawbar pull	20570 kg
Brake system	Hydraulically operated discs in each travel motor

Undercarriage

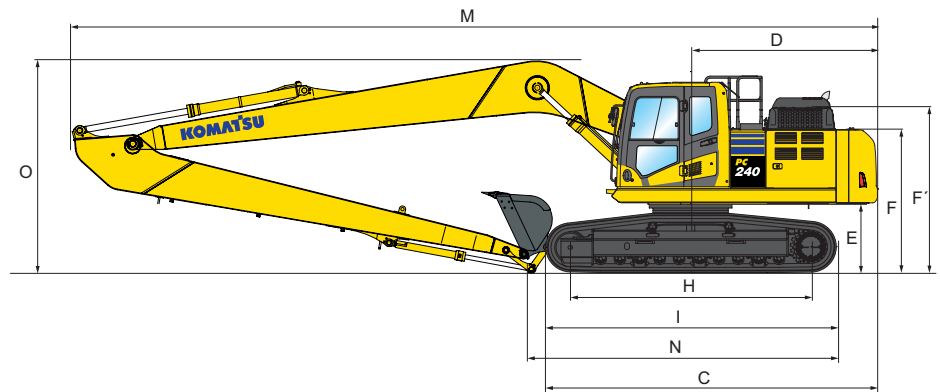
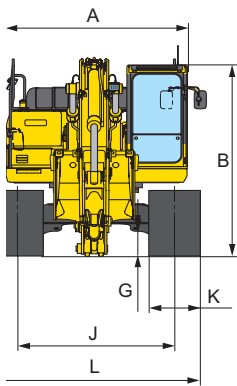
Construction	X-frame centre section with box section track frames
Track assembly	
Type	Fully sealed
Shoes (each side)	51 (PC240LC), 49 (PC240NLC)
Tension	Combined spring and hydraulic unit
Rollers	
Track rollers (each side)	10 (PC240LC), 9 (PC240NLC)
Carrier rollers (each side)	2

Environment

Engine emissions	Fully complies with EU Stage V exhaust emission regulations
Noise levels	
LwA external	103 dB(A) (2000/14/EC Stage II)
LpA operator ear	70 dB(A) (ISO 6396 dynamic test)
Vibration levels (EN 12096:1997)	
Hand/arm	≤ 2.5 m/s ² (uncertainty K = 0.53 m/s ²)
Body	≤ 0.5 m/s ² (uncertainty K = 0.28 m/s ²)
Contains fluorinated greenhouse gas HFC-134a (GWP 1430). Quantity of gas 0.9 kg; CO ₂ equivalent 1.29 t	

Dimensions PC240LC/NLC-11

Machine dimensions	PC240LC-11	PC240NLC-11
A Overall width of upper structure	2705 mm	2705 mm
B Overall height of cab	3055 mm	3055 mm
C Overall length of basic machine	5305 mm	5210 mm
D Tail length	2985 mm	2985 mm
Tail swing radius	3020 mm	3020 mm
E Clearance under counterweight	1100 mm	1100 mm
F Machine tail height	2265 mm	2265 mm
F` Machine tail height (top of engine cover)	2780 mm	2780 mm
G Ground clearance	440 mm	440 mm
H Tumbler centre distance	3845 mm	3655 mm
I Track length	4640 mm	4450 mm
J Track gauge	2580 mm	2380 mm
K Track shoe width	600, 700, 800, 900 mm	600, 700, 800 mm
L Overall track width with 600 mm shoes	3180 mm	2980 mm
Overall track width with 700 mm shoes	3280 mm	3080 mm
Overall track width with 800 mm shoes	3380 mm	3180 mm
Overall track width with 900 mm shoes	3480 mm	-



Transport dimensions

Arm length	9325 mm
Boom length	10530 mm
M Transport length	14480 mm
N Length on ground (transport) LC/NLC	4520 / 4425 mm
O Overall height (to top of boom)	3330 mm

PC240LC-11 Super long front specification

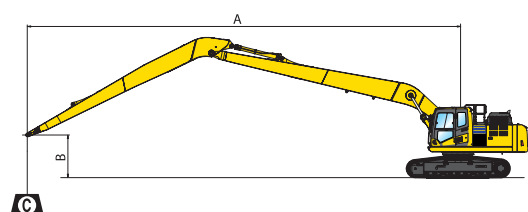
With 700 mm shoes

A	⊗		17.0 m		15.0 m		13.0 m		11.0 m		9.0 m		8.0 m		7.0 m		6.0 m	
	⊗	⊗	⊗	⊗	⊗	⊗	⊗	⊗	⊗	⊗	⊗	⊗	⊗	⊗	⊗	⊗	⊗	
14.0 m	kg	*1300	*1300															
10.0 m	kg	*1150	*1150			*1650	*1650	*1900	*1900									
6.0 m	kg	*1100	*1100	*1400	1250	*2150	*2150	*2200	*2200	*2300	*2300							
3.0 m	kg	*1150	1050	*1850	1200	*2400	*2400	*2600	2150	*2900	2850	*3350	*3350	*3700	*3700	*4150	*4150	*4850
0.0 m	kg	*1300	1000	1850	1100	2350	2350	2950	1850	*3550	2450	*4350	3300	*5000	3900	*5850	4650	*7100
-3.0 m	kg	*1500	1050	*1600	1050	2200	2200	2750	1650	3500	2150	4650	2850	5500	3350	6650	4000	*7250
-6.0 m	kg	*1850	1150			2150	2150	2650	1550	3350	2000	4450	2700	5300	3150	6450	3850	8150
-9.0 m	kg	2500	1500					2700	1600	3400	2050	4500	2750	5350	3250	6550	3950	*8150
-13.0 m	kg	*3350	2950									*3700	3200	*4300	3750	*5000	4550	*5750

PC240NLC-11 Super long front specification

With 700 mm shoes

A	⊗		17.0 m		15.0 m		13.0 m		11.0 m		9.0 m		8.0 m		7.0 m		6.0 m	
	⊗	⊗	⊗	⊗	⊗	⊗	⊗	⊗	⊗	⊗	⊗	⊗	⊗	⊗	⊗	⊗	⊗	
14.0 m	kg	*1300	*1300															
10.0 m	kg	*1150	*1150			*1650	1650	*1900	*1900									
6.0 m	kg	*1100	1050			*2150	1550	*2200	2150	*2300	*2300							
3.0 m	kg	*1150	900	*1400	1100	2300	1400	*2600	1900	*2900	2550	*3350	*3350	*3700	*3700	*4150	*4150	*4850
0.0 m	kg	*1300	850	*1750	1000	2100	1200	2700	1600	3500	2150	4350	2900	*5000	3450	*5850	4100	*7100
-3.0 m	kg	*1500	850	1650	900	1950	1100	2450	1400	3150	1850	4200	2450	4950	2900	5950	3450	7250
-6.0 m	kg	1800	950	*1600	850	1950	1050	2350	1350	3000	1700	4000	2300	4750	2700	5750	3300	7300
-9.0 m	kg	2200	1250					2450	1400	3050	1750	4050	2350	4800	2800	5900	3400	7500
-13.0 m	kg	*3350	2600									*3700	2800	*4300	3300	*5000	4000	*5750



- A – Reach from swing center
- B – Bucket hook height
- C – Lifting capacities
- ⊗ – Rating over front
- ⊗ – Rating over side
- ⊗ – Rating at maximum reach

Weights:
Bucket linkage and bucket cylinder: 195 kg

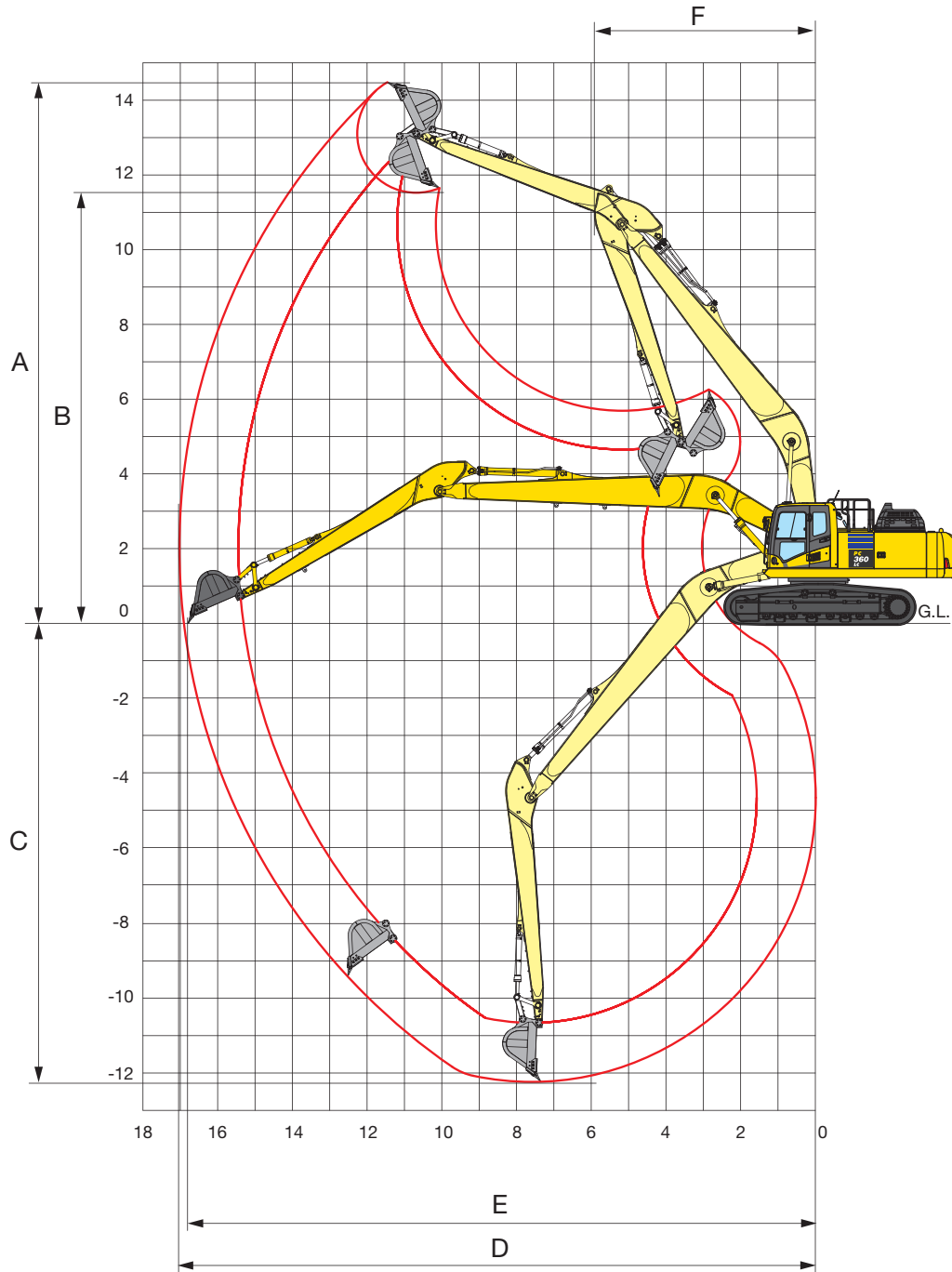
* Load is limited by hydraulic capacity rather than tipping. Ratings are based on ISO 10567:2007.
Rated loads do not exceed 87% of hydraulic lift capacity or 75% of tipping load.
Lifting capacity stated is based on lifting with bare arm. When lifting with additional equipment installed to the arm, please subtract the weight of all additional equipment from the values stated.

Bucket capacity table

	PC240LC-11	PC240NLC-11
General purpose bucket		
Max. bucket width	955 mm	955 mm
Max bucket volume		
Material density up to 1.2 t/m ³	0.51 m ³ 450 kg	0.38 m ³ 390 kg
Material density up to 1.5 t/m ³	0.44 m ³ 415 kg	0.31 m ³ 355 kg
Material density up to 1.8 t/m ³	0.38 m ³ 390 kg	0.27 m ³ 340 kg
Ditch cleaning bucket		
Max. bucket width	2100 mm	2100 mm
Maximum load at end of arm*	1300 kg	1000 kg

* Maximum load at end of arm (bucket + payload). Max. capacity and weight have been calculated according to ISO 10567:2007. Please consult with your distributor for the correct selection of buckets and attachments to suit the application.

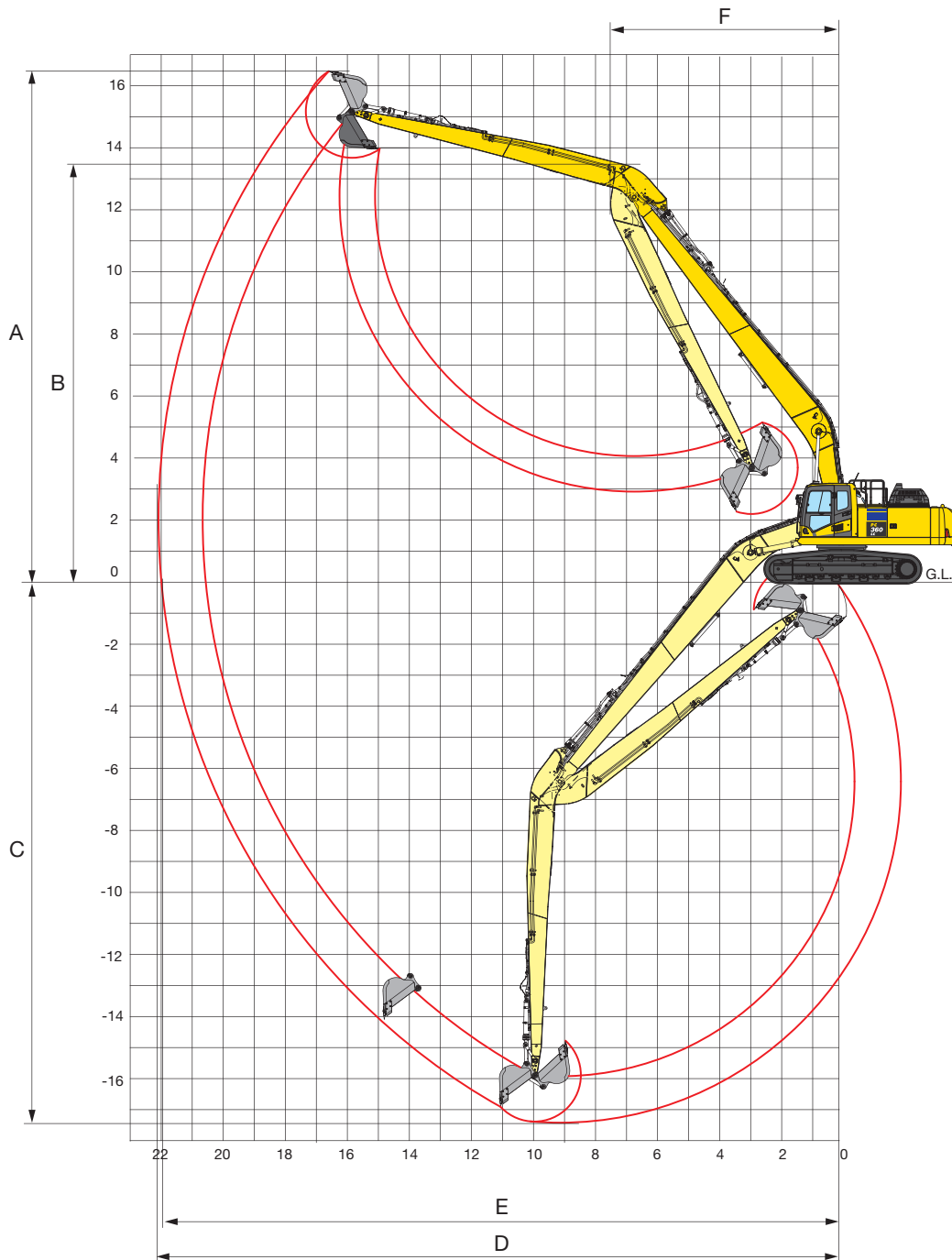
17 m Long reach specification



17 m Long reach specification

A	Max. digging height	14595 mm
B	Max. dumping height	11480 mm
C	Max. digging depth	12300 mm
D	Max. digging reach	17000 mm
E	Max. digging reach at ground level	16880 mm
F	Min. swing radius	5970 mm

22 m Super long front specification



22 m Super long front specification

A	Max. digging height	16260 mm
B	Max. dumping height	13480 mm
C	Max. digging depth	17485 mm
D	Max. digging reach	22010 mm
E	Max. digging reach at ground level	21915 mm
F	Min. swing radius	7350 mm

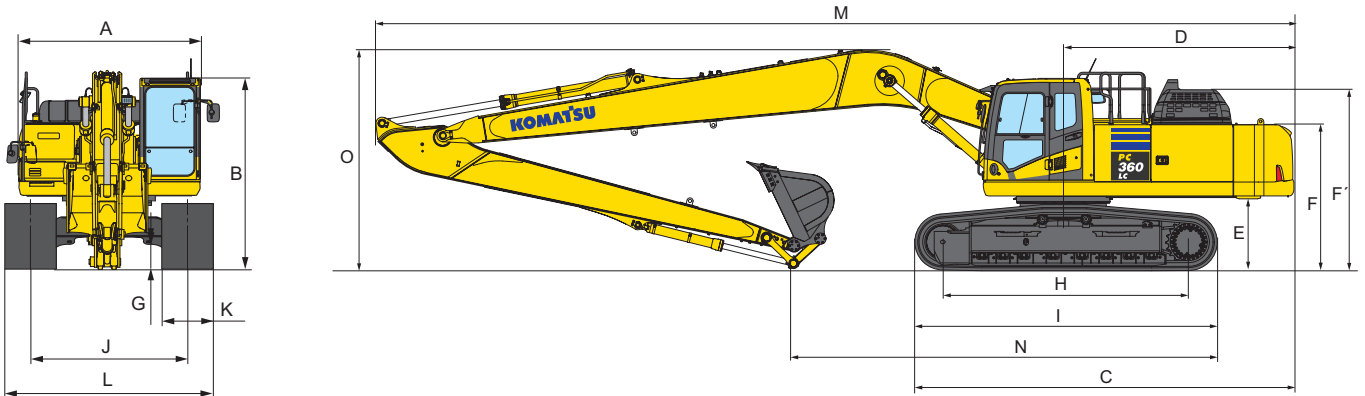
Dimensions PC360LC-11

Machine dimensions

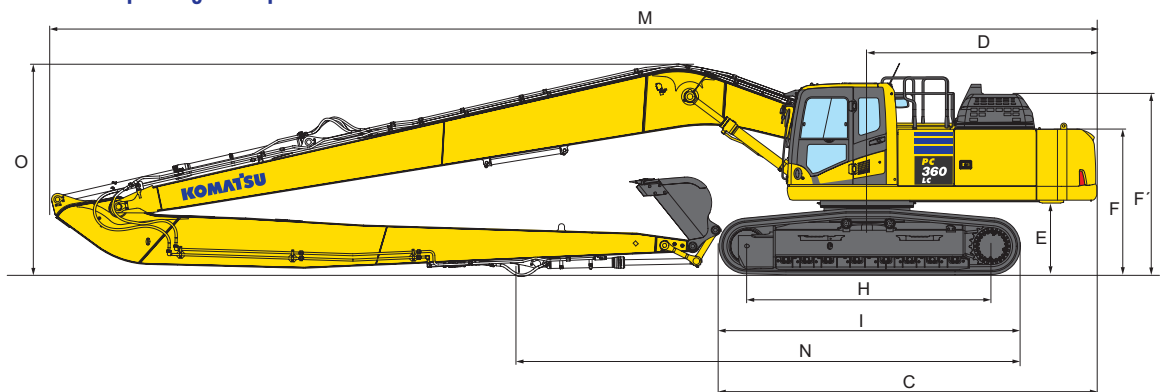
PC360LC-11

A	Overall width of upper structure	2995 mm
B	Overall height of cab	3160 mm
C	Overall length of basic machine	6200 mm
D	Tail length	3770 mm
	Tail swing radius	3820 mm
E	Clearance under counterweight	1185 mm
F	Machine tail height	2350 mm
F'	Machine tail height (top of engine cover)	2920 mm
G	Ground clearance	500 mm
H	Tumbler centre distance	4030 mm
I	Track length	4955 mm
J	Track gauge	2590 mm
K	Track shoe width	600, 700, 800, 850 mm
L	Overall track width with 600 mm shoes	3190 mm
	Overall track width with 700 mm shoes	3290 mm
	Overall track width with 800 mm shoes	3390 mm
	Overall track width with 850 mm shoes	3440 mm

17 m Long reach specification



22 m Super long front specification



Transport dimensions

Long reach specification

Super long front specification

	Arm length	7230 mm	10700 mm
	Boom length	10210 mm	12400 mm
M	Transport length	15050 mm	17210 mm
N	Length on ground (transport)	6920 mm	11800 mm
O	Overall height (to top of boom)	3710 mm	3470 mm

Engine

Model	Komatsu SAA6D114E-6
Type	Common rail direct injection, water-cooled, emissionised, turbocharged, after-cooled diesel
Engine power	
at rated engine speed	1950 rpm
ISO 14396	202 kW / 271 HP
ISO 9249 (net engine power)	192 kW / 257 HP
No. of cylinders	6
Bore × stroke	114 × 144.5 mm
Displacement	8.85 l
Air filter type	Double element type with monitor panel dust indicator and auto dust evacuator
Cooling	Suction type cooling fan with radiator fly screen
Fuel	Diesel fuel, conforming to EN590 Class 2/Grade D. Paraffinic fuel capability (HVO, GTL, BTL), conforming to EN 15940:2016

Hydraulic system

Type	HydrauMind. Closed-centre system with load sensing and pressure compensation valves
Additional circuits	1 additional circuit for tilting buckets is fitted as standard
Main pump	2 variable displacement piston pumps supplying boom, arm, bucket, swing and travel circuits
Maximum pump flow	2 × 267.5 l/min
Relief valve settings	
Implement	380 kg/cm ²
Travel	380 kg/cm ²
Swing	285 kg/cm ²
Pilot circuit	33 kg/cm ²

Service refill capacities

Fuel tank	605 l
Radiator	37.0 l
Engine oil	38.5 l
Swing drive	14.0 l
Hydraulic tank	188 l
Final drive (each side)	9.0 l
AdBlue® tank	39.0 l

Operating weight (appr.)

Triple grouser shoes	Long reach specification		Super long front specification	
	Operating weight	Ground pressure	Operating weight	Ground pressure
600 mm	42200 kg	0.80 kg/cm ²	41370 kg	0.78 kg/cm ²
700 mm	42580 kg	0.69 kg/cm ²	41750 kg	0.68 kg/cm ²
800 mm	42960 kg	0.61 kg/cm ²	42130 kg	0.60 kg/cm ²
850 mm	43150 kg	0.57 kg/cm ²	42320 kg	0.56 kg/cm ²

17 m Long reach specification: Operating weight, including specified work equipment, 871 kg bucket, operator, lubricant, coolant, full fuel tank and the standard equipment.

22 m Super long front specification: Operating weight, including specified work equipment, 475 kg bucket, operator, lubricant, coolant, full fuel tank and the standard equipment.

Swing system

Type	Axial piston motor driving through planetary double reduction gearbox
Swing lock	Electrically actuated wet multidisc brake integrated into swing motor
Swing speed	0 - 8.0 rpm
Swing torque	103 kNm

Drives and brakes

Steering control	2 levers with pedals giving full independent control of each track
Drive method	Hydrostatic
Travel operation	Automatic 3-speed selection
Gradeability	70%, 35°
Max. travel speeds	
Lo / Mi / Hi	3.2 / 4.5 / 5.5 km/h
Maximum drawbar pull	29570 kg
Brake system	Hydraulically operated discs in each travel motor

Undercarriage

Construction	X-frame centre section with box section track frames
Track assembly	
Type	Fully sealed
Shoes (each side)	48
Tension	Combined spring and hydraulic unit
Rollers	
Track rollers (each side)	8
Carrier rollers (each side)	2

Environment

Engine emissions	Fully complies with EU Stage V exhaust emission regulations
Noise levels	
LwA external	104 dB(A) (2000/14/EC Stage II)
LpA operator ear	71 dB(A) (ISO 6396 dynamic test)
Vibration levels (EN 12096:1997)	
Hand/arm	≤ 2.5 m/s ² (uncertainty K = 0.37 m/s ²)
Body	≤ 0.5 m/s ² (uncertainty K = 0.17 m/s ²)
Contains fluorinated greenhouse gas HFC-134a (GWP 1430). Quantity of gas 0.8 kg; CO ₂ equivalent 1.14 t	

Lifting capacity PC360LC-11

17 m Long reach specification

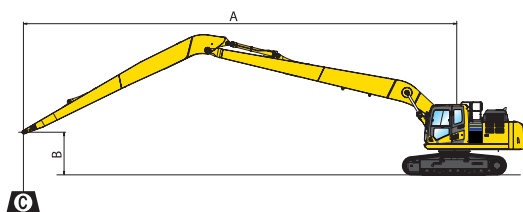
With 700 mm shoes

A	⊗		15.0 m		13.5 m		12.0 m		10.5 m		9.0 m		7.5 m		6.0 m		4.5 m	
B	⊗	⊞	⊗	⊞	⊗	⊞	⊗	⊞	⊗	⊞	⊗	⊞	⊗	⊞	⊗	⊞	⊗	⊞
12.0 m kg	*3100	*3100																
9.0 m kg	*2900	*2900			*3450	*3450	*3950	*3950										
6.0 m kg	*2950	*2950			*3850	*3850	*4150	*4150	*4550	*4550	*5100	*5100						
3.0 m kg	*3100	3100	*3750	3250	*4050	3850	*4500	*4500	*5100	*5100	*5900	*5900	*7150	*7150	*9200	*9200		
0.0 m kg	*3400	3000	*3750	3100	*4250	3600	*4800	4250	*5500	5100	*6500	6200	*8000	*7750	*10050	*10050	*4300	*4300
-3.0 m kg	*3700	3150			*4150	3450	*4800	4000	*5600	4750	*6650	5800	*8050	7300	*10000	9750	*7550	*7550
-6.0 m kg	*3650	3600					*4300	4000	*5150	4750	*6050	5750	*7250	*7250	*8750	*8750	*10700	*10700
-9.0 m kg	*3300	*3300							*3500	*3500	*4400	*4400	*5300	*5300	*6200	*6200	*7200	*7200
-10.5 m kg	*2700	*2700											*3550	*3550				

22 m Super long front specification

With 700 mm shoes

A	⊗		20.0 m		18.0 m		16.0 m		14.0 m		12.0 m		10.0 m		8.0 m		6.0 m	
B	⊗	⊞	⊗	⊞	⊗	⊞	⊗	⊞	⊗	⊞	⊗	⊞	⊗	⊞	⊗	⊞	⊗	⊞
13.5 m kg	*1550	*1550																
10.5 m kg	*1500	*1500			*2150	*2150	*2250	*2250										
9.0 m kg	*1500	*1500			*2200	*2200	*2300	*2300										
6.0 m kg	*1500	*1500	*2000	2000	*2250	*2250	*2450	*2450	*2650	*2650								
3.0 m kg	*1550	*1550	*2200	1900	*2350	2350	*2600	*2600	*2950	*2950	*3400	*3400	*4050	*4050	*5100	*5100		
0.0 m kg	*1650	1650	*2250	1750	*2500	2150	*2800	2650	*3200	*3200	*3800	*3800	*4650	*4650	*6000	*6000	*7150	*7150
-3.0 m kg	*1850	1650	*2250	1700	*2550	2000	*2900	2400	*3400	2950	*4050	3600	*5000	4550	*6500	6000	*6350	*6350
-6.0 m kg	*2200	1800			*2500	1950	*2950	2300	*3450	2750	*4150	3350	*5100	4250	*6500	5700	*7650	*7650
-9.0 m kg	*2250	2050					*2700	2300	*3250	2700	*3950	3350	*4850	4250	*6050	5700	*7950	*7950
-10.5 m kg	*2250	*2250					*2450	2350	*3050	2750	*3700	3400	*4550	4300	*5650	*5650	*7300	*7300
-13.5 m kg	*2050	*2050									*2750	*2750	*3450	*3450	*4250	*4250	*5300	*5300
-15.0 m kg	*1800	*1800											*2500	*2500	*3150	*3150	*3800	*3800



A – Reach from swing center

B – Bucket hook height

C – Lifting capacities

⊗ – Rating over front

⊞ – Rating over side

⊗ – Rating at maximum reach

Weights:

Bucket linkage and bucket cylinder: 370 kg

* Load is limited by hydraulic capacity rather than tipping. Ratings are based on ISO 10567:2007.

Rated loads do not exceed 87% of hydraulic lift capacity or 75% of tipping load.

Lifting capacity stated is based on lifting with bare arm. When lifting with additional equipment installed to the arm, please subtract the weight of all additional equipment from the values stated.

Bucket capacity PC360LC-11

Bucket capacity table	Long reach specification		Super long front specification	
General purpose bucket				
Max. bucket width	1200 mm		955 mm	
Max bucket volume				
Material density up to 1.2 t/m ³	1.11 m ³	890 kg	0.63 m ³	650 kg
Material density up to 1.5 t/m ³	1.01 m ³	830 kg	0.53 m ³	610 kg
Material density up to 1.8 t/m ³	0.93 m ³	780 kg	0.47 m ³	575 kg
Ditch cleaning bucket				
Max. bucket width	2100 mm		2100 mm	
Maximum load at end of arm*	2455 kg		1300 kg	

* Maximum load at end of arm (bucket + payload). Max. capacity and weight have been calculated according to ISO 10567:2007. Please consult with your distributor for the correct selection of buckets and attachments to suit the application.

Standard and optional equipment

Engine

Komatsu turbocharged common rail direct injection diesel engine	●
EU Stage V compliant	●
Suction type cooling fan with radiator fly screen	●
Automatic engine warm-up system	●
Engine overheat prevention system	●
Fuel control dial	●
Auto-deceleration function	●
Adjustable idle shutdown	●
Engine key stop	●
Engine ignition can be password secured on request	●

Hydraulic system

Electronic closed-centre load sensing (E-CLSS) hydraulic system (HydrauMind)	●
Pump and engine mutual control (PEMC) system	●
6-working mode selection system; power mode, economy mode, breaker mode, attachment power and attachment economy mode, and lifting mode	●
PPC wrist control levers for arm, boom, bucket and swing, with sliding proportional control for attachments and 3 auxiliary buttons	●
1 additional hydraulic circuit, suitable for working with tilting bucket	●
High flow additional hydraulic circuit and low flow additional hydraulic circuit (PC138US only)	●
Prepared for hydraulic quick-coupler	●

Drives and brakes

Hydrostatic, 3-speed travel system with automatic shift and planetary gear type final drives, and hydraulic travel and parking brakes	●
PPC control levers and pedals for steering and travel	●

Undercarriage

Track roller guards	●
Track frame under-guards	●
500, 600, 700 mm triple grouser shoes (PC138US-11)	○
600, 700, 800, 900 mm triple grouser shoes (PC210LC-11, PC240LC/NLC-11)	○
700, 800, 850 mm triple grouser shoes (PC360LC-11)	○
Full length track roller guards	○

Cabin

Reinforced safety SpaceCab™; highly pressurised and tightly sealed hyper viscous mounted cab with tinted safety glass windows, large roof window with sun shade, pull-up type front window with locking device, removable lower window, front window wiper with intermittent feature, sun roller blind, cigarette lighter, ashtray, luggage shelf, floor mat	●
Heated, high-back air-suspended seat with lumbar support, console mounted height adjustable arm rests, and retractable seat belt	●
Automatic climate control system	●
12/24 Volt power supplies	●
USB-A / USB-C power supplies	●
Utility bar	●
Beverage holder and magazine rack	●
Hot and cool box	●
DAB+ radio with Bluetooth®, USB, AUX and hands-free kit	●
Premium comfort seat	○
Lower wiper	○
Rain visor (not with OPG)	○

Service and maintenance

Automatic fuel line de-aeration	●
Double element type air cleaner with dust indicator and auto dust evacuator	●
Komtrax – Komatsu wireless monitoring system (4G)	●
Komatsu Care – a maintenance program for Komatsu customers	●
Multifunction video compatible colour monitor with Equipment Management and Monitoring System (EMMS) and efficiency guidance	●
Toolkit	●
Automatic greasing system (PC360 LR only)	●
Service points	○

Lighting system

Working lights: 2 revolving frame, 1 boom (l.h.)	●
Coming home light function	●
Additional working lights: 4 cab roof (front), 1 cab roof (rear), 1 boom (r.h.), 1 counterweight (rear), beacon	○
LED working lights: 2 revolving frame (halogen), 2 boom (LED, l.h. & r.h.), 2 boom cylinders (LED), 4 cab roof (LED, front), 1 cab roof (halogen, rear), 2 counterweight (halogen, rear), 1 right side machine (halogen), beacon	○

Safety equipment

KomVision surround view system	●
Electric horn	●
Overload warning device	●
Audible travel alarm	●
Boom safety valves	●
Arm safety valves	●
Large handrails	●
Rear-view mirrors (for cab adjustable without tools)	●
Battery main switch	●
ROPS compliant to ISO 12117-2:2008	●
Emergency engine stop switch	●
Seat belt caution indicator	●
Neutral position detection system	●
OPG Level II front guard (FOPS), hinged type	○
OPG Level II top guard (FOPS)	○

Other equipment

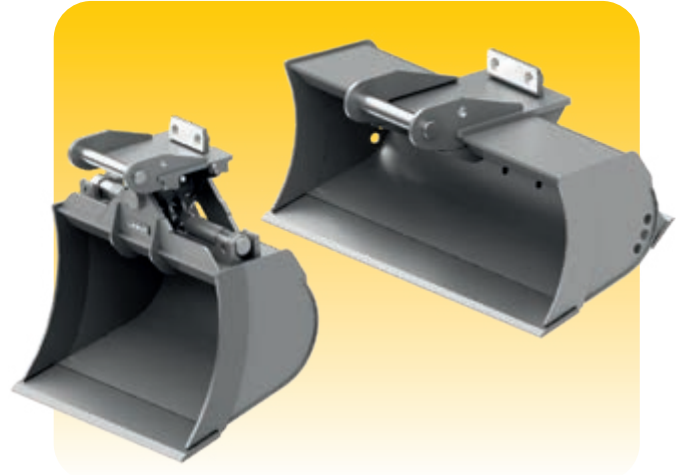
Heavy counterweight	●
Remote greasing for swing circle and pins	●
Electric refuelling pump with automatic shut-off function	●
Biodegradable oil for hydraulic system	○
Customised paint	○

Work equipment

Super Long Front boom and arm	●
Long Reach boom and arm (PC360LC only)	●
Sealed bucket linkage pins (PC360LC only)	○
Komatsu buckets	○

Further equipment on request

- standard equipment
- optional equipment



A wide range of buckets and attachments is available. Your Komatsu distributor is ready to assist you with the selection of suitable options.

This specification sheet may contain attachments and optional equipment that are not available in your area. Please consult your local Komatsu distributor for those items you may require.

Materials and specifications are subject to change without notice.

Notes



Your Komatsu partner:

KOMATSU

[komatsu.eu](https://www.komatsu.eu)

