



Demolition specification excavators

PC210LC-11

PC240LC/NLC-11

PC290LC/NLC-11

PC360LC/NLC-11

PC490LC-11



Demolition excavators

Engine power

123 kW (165 HP) - 270 kW (362 HP)

Operating weight

23215 - 49090 kg

Attachment weight

2550 - 5750 kg

Demolition excavators



Engine power

**123 kW (165 HP) -
270 kW (362 HP)**

Operating weight

23215 - 49090 kg

Attachment weight

2550 - 5750 kg



Exceptional demolition performance

Work equipment

- Mono boom options (PC210 - PC490)
- Straight boom options (PC240 - PC490)
- Two-piece boom options (PC240 & PC290)
- Choice of arm lengths
- Two additional hydraulic circuits, including factory installed attachment drain line

First-class comfort

- Pressurised cab
- Roof window wash/wipe system
- Joysticks with proportional attachment control
- Integrated attachment control allows precise pressure and flow setting for attachments
- Fully air suspended operator console with heated, high back seat

Heavy duty protection

- Heavy duty undercovers and side guards
- Attachment cylinder guard (optional)
- Reinforced bucket linkage
- Boom lamp protection guard
- Full length track roller guards (optional)

Safety equipment

- Special Demolition Safety SpaceCab™ cab, fully complies with European Regulation EN474-1 Annex G
- ISO 10262 Level 2 certified FOPS with hinged front guard
- EN356 P5A high impact protection front and roof window glass
- KomVision surround view system
- Neutral position detection system



A maintenance program
for Komatsu customers

Demolition excavators



Komatsu demolition excavators

Komatsu's factory-built demolition excavators ensure minimum downtime, even in the challenging environment of a demolition work site. With a huge range of standard safety equipment, these machines surpass current regulations and offer real peace of mind to today's demolition contractor. The strong factory-installed machine protection and hydraulic circuits provide top level durability and present a professional image to your clients. With an integrated attachment pressure and flow control system and attachment cylinder guard, the machine is ready to give great long term productivity. All you need now is the demolition tool – consult your Komatsu distributor!

Demolition excavator equipment



Extra heavy duty, wrap around type side protection (15 mm). Bolted to each side of the upper structure, offering protection from debris on the ground or side impact.



Heavy duty undercovers (9 mm) fully enclose the upper structure's underside for enhanced protection against debris on the ground.



Attachment cylinder guard (option), reinforced bucket linkage and details like heavy duty boom lamp protection guards round up the all-round protection.



Hinged front guard to allow easy access for windscreen cleaning. The Demolition Safety SpaceCab™ is ROPS compliant with ISO 12117-2:2008.



Carefully aligned grid layout ensures maximum visibility with correct protection. One piece front screen fitted with high impact protective glass.



High impact protective glass (compliant with EN356 grade P5A) is fitted to front and roof window. Roof window wash/wipe system is fitted as standard.



Joysticks with proportional control button for attachments.

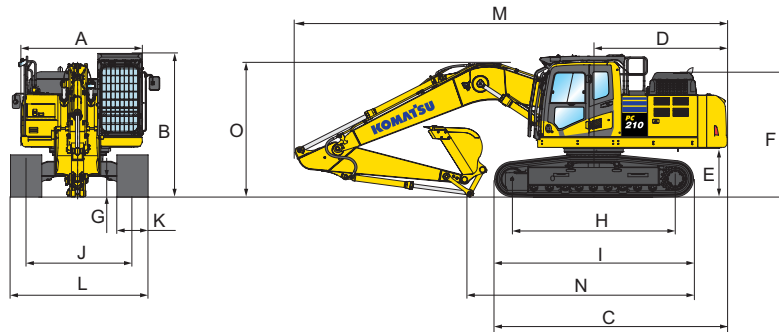


Integrated pressure and flow control system with up to 15 settings to allow maximum effect from attachments.



KomVision machine visibility gives the operator a constant clear view of the safety zone around the machine. This allows the operator to focus on the work at hand even in low light conditions.

PC210LC-11



Machine dimensions

PC210LC-11

A	Overall width of upper structure	2750 mm
	Overall width of upper structure (excluding side guards)	2705 mm
B	Overall height of cab	3255 mm
	Overall height of cab (excluding OPG)	3045 mm
C	Overall length of basic machine	5215 mm
D	Tail length	2990 mm
	Tail swing radius	3020 mm
E	Clearance under counterweight	1085 mm
F	Machine tail height (top of engine cover)	2765 mm
G	Ground clearance	440 mm
H	Tumbler centre distance	3655 mm
I	Track length	4450 mm
J	Track gauge	2380 mm
K	Track shoe width	600, 700 mm
L	Overall track width with 600 mm shoes	2980 mm
	Overall track width with 700 mm shoes	3080 mm

Transport dimensions

Mono boom

	Arm length	2.9 m
M	Transport length	9705 mm
N	Length on ground (transport)	4810 mm
O	Overall height (to top of boom)	3135 mm

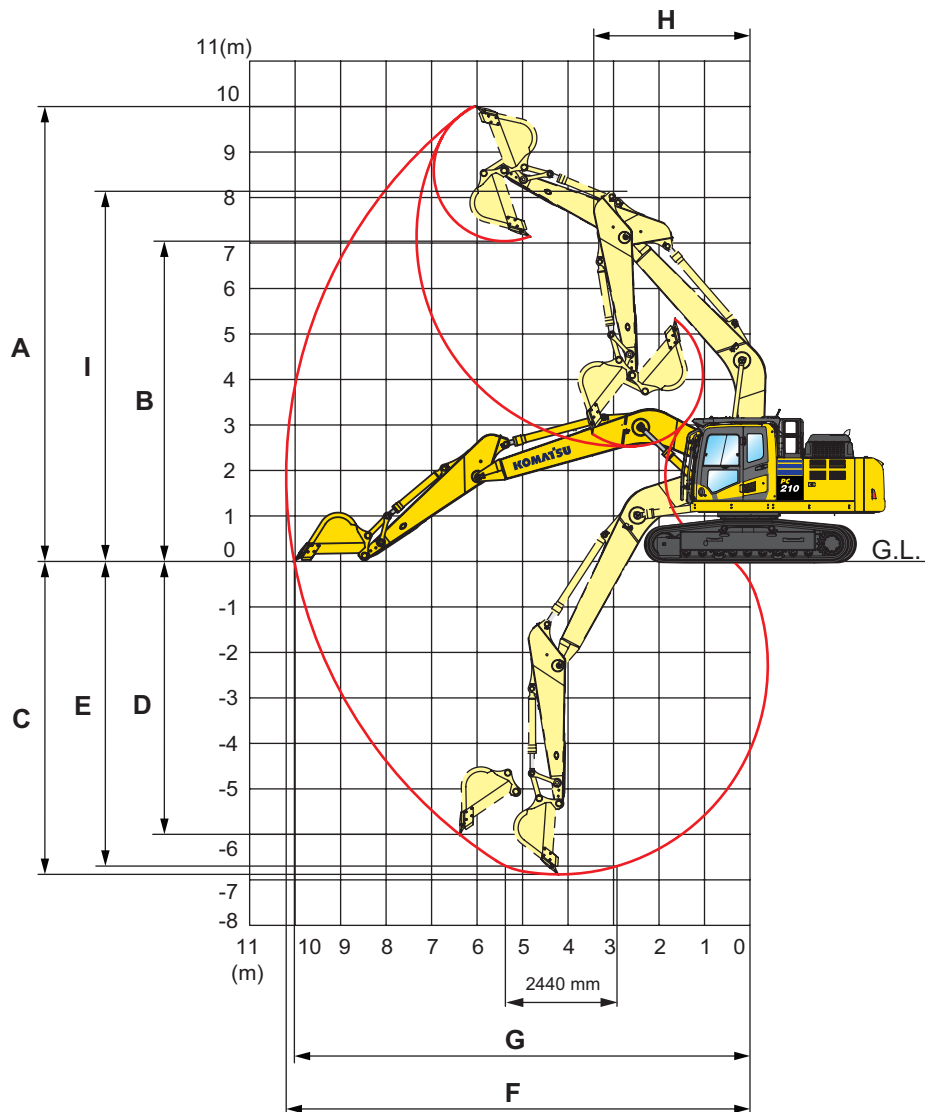
Operating weight (appr.)

Triple grouser shoes	Operating weight	Ground pressure
600 mm	23215 kg	0.49 kg/cm ²
700 mm	23485 kg	0.42 kg/cm ²

Operating weight, including specified work equipment, 2.9 m arm, 650 kg bucket, operator, lubricant, coolant, full fuel tank.

Mono boom demolition

Working range



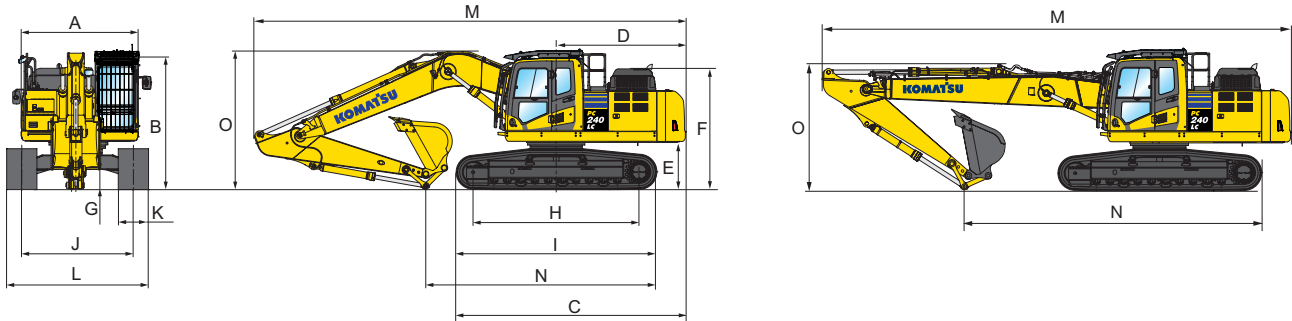
Arm length

2.9 m

A	Max. digging height	10000 mm
B	Max. dumping height	7110 mm
C	Max. digging depth	6620 mm
D	Max. vertical wall digging depth	5980 mm
E	Max. digging depth of cut for 2.44 m level	6370 mm
F	Max. digging reach	9875 mm
G	Max. digging reach at ground level	9700 mm
H	Min. swing radius	3040 mm
I	Max. height at min. swing radius	8005 mm
	Max. recommended attachment weight (LC)*	2550 kg
	Max. load at arm end pin (LC)	3200 kg

* Attachment manufacturer is responsible for recommending suitable attachment based on published machine performance data.

PC240LC/NLC-11



Machine dimensions

	Mono boom		Straight boom	
	PC240LC-11	PC240NLC-11	PC240LC-11	PC240NLC-11
A Overall width of upper structure	2750 mm	2750 mm	2750 mm	2750 mm
Overall width of upper structure (excluding side guards)	2705 mm	2705 mm	2705 mm	2705 mm
B Overall height of cab	3265 mm	3265 mm	3265 mm	3265 mm
Overall height of cab (excluding OPG)	3055 mm	3055 mm	3055 mm	3055 mm
C Overall length of basic machine	5305 mm	5210 mm	5305 mm	5210 mm
D Tail length	2985 mm	2985 mm	2985 mm	2985 mm
Tail swing radius	3020 mm	3020 mm	3020 mm	3020 mm
E Clearance under counterweight	1100 mm	1100 mm	1100 mm	1100 mm
F Machine tail height (top of engine cover)	2780 mm	2780 mm	2780 mm	2780 mm
G Ground clearance	440 mm	440 mm	440 mm	440 mm
H Tumbler centre distance	3845 mm	3655 mm	3845 mm	3655 mm
I Track length	4640 mm	4450 mm	4640 mm	4450 mm
J Track gauge	2580 mm	2380 mm	2580 mm	2380 mm
K Track shoe width	600, 700 mm	600, 700 mm	600, 700 mm	600, 700 mm
L Overall track width with 600 mm shoe	3180 mm	2980 mm	3180 mm	2980 mm
Overall track width with 700 mm shoe	3280 mm	3080 mm	3280 mm	3080 mm

Transport dimensions

	Mono boom		Straight boom	
	2.5 m	3.0 m	2.5 m	3.0 m
M Transport length	10040 mm	9965 mm	10700 mm	10615 mm
N Length on ground (transport) PC240LC-11	6115 mm	5390 mm	7525 mm	6880 mm
Length on ground (transport) PC240NLC-11	6020 mm	5260 mm	7430 mm	6785 mm
O Overall height (to top of boom)	3295 mm	3185 mm	2840 mm	3320 mm

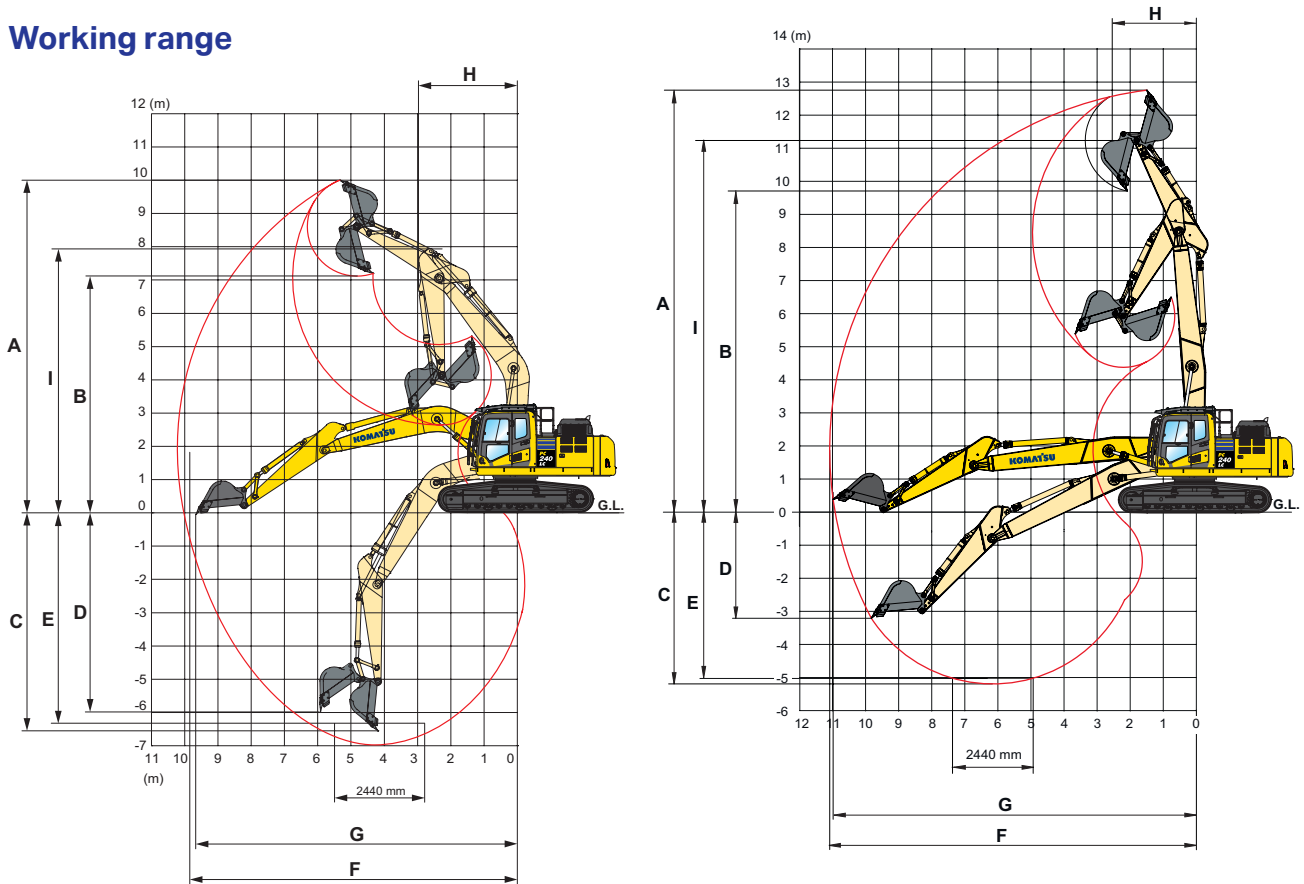
Operating weight (appr.)

PC240LC-11	Mono boom		Straight boom	
	Operating weight	Ground pressure	Operating weight	Ground pressure
Triple grouser shoes				
600 mm	26075 kg	0.52 kg/cm ²	26255 kg	0.52 kg/cm ²
700 mm	26375 kg	0.45 kg/cm ²	26555 kg	0.45 kg/cm ²
PC240NLC-11	Mono boom		Straight boom	
Triple grouser shoes	Operating weight	Ground pressure	Operating weight	Ground pressure
600 mm	25475 kg	0.53 kg/cm ²	25655 kg	0.53 kg/cm ²
700 mm	25775 kg	0.46 kg/cm ²	25955 kg	0.46 kg/cm ²

Operating weight, including specified work equipment, 3.0 m arm, 735 kg bucket, operator, lubricant, coolant, full fuel tank.

Mono boom / straight boom demolition

Working range

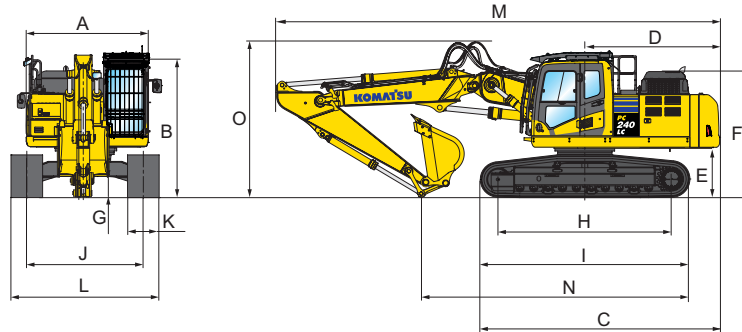


PC240LC/NLC-11

	Mono boom		Straight boom	
Arm length	2.5 m	3.0 m	2.5 m	3.0 m
A Max. digging height	9790 mm	10000 mm	12280 mm	12780 mm
B Max. dumping height	6860 mm	7035 mm	9195 mm	9730 mm
C Max. digging depth	6320 mm	6920 mm	4705 mm	5185 mm
D Max. vertical wall digging depth	5130 mm	6010 mm	3030 mm	3195 mm
E Max. digging depth of cut for 2.44 m level	6100 mm	6700 mm	4510 mm	5010 mm
F Max. digging reach	9670 mm	10180 mm	10580 mm	11070 mm
G Max. digging reach at ground level	9480 mm	10020 mm	10440 mm	11970 mm
H Min. swing radius	3320 mm	3450 mm	2505 mm	2525 mm
I Max. height at min. swing radius	8160 mm	8110 mm	9525 mm	9525 mm
Max. recommended attachment weight (LC)*	3000 kg	2750 kg	3000 kg	2750 kg
Max. load at arm end pin (LC)	4150 kg	3750 kg	3260 kg	3010 kg
Max. recommended attachment weight (NLC)*	2600 kg	2400 kg	2600 kg	2400 kg
Max. load at arm end pin (NLC)	3650 kg	3300 kg	2860 kg	2610 kg

* Attachment manufacturer is responsible for recommending suitable attachment based on published machine performance data.

PC240LC/NLC-11



Machine dimensions

Two-piece boom

	PC240LC-11	PC240NLC-11
A Overall width of upper structure	2750 mm	2750 mm
Overall width of upper structure (excluding side guards)	2705 mm	2705 mm
B Overall height of cab	3265 mm	3265 mm
Overall height of cab (excluding OPG)	3055 mm	3055 mm
C Overall length of basic machine	5305 mm	5210 mm
D Tail length	2985 mm	2985 mm
Tail swing radius	3020 mm	3020 mm
E Clearance under counterweight	1100 mm	1100 mm
F Machine tail height (top of engine cover)	2780 mm	2780 mm
G Ground clearance	440 mm	440 mm
H Tumbler centre distance	3845 mm	3655 mm
I Track length	4640 mm	4450 mm
J Track gauge	2580 mm	2380 mm
K Track shoe width	600, 700 mm	600, 700 mm
L Overall track width with 600 mm shoe	3180 mm	2980 mm
Overall track width with 700 mm shoe	3280 mm	3080 mm

Transport dimensions

Two-piece boom

	2.5 m	3.0 m
M Transport length	10170 mm	10120 mm
N Length on ground (transport) PC240LC-11	6795 mm	6170 mm
Length on ground (transport) PC240NLC-11	6700 mm	6700 mm
O Overall height (to top of boom)	3445 mm	3540 mm

Operating weight (appr.)

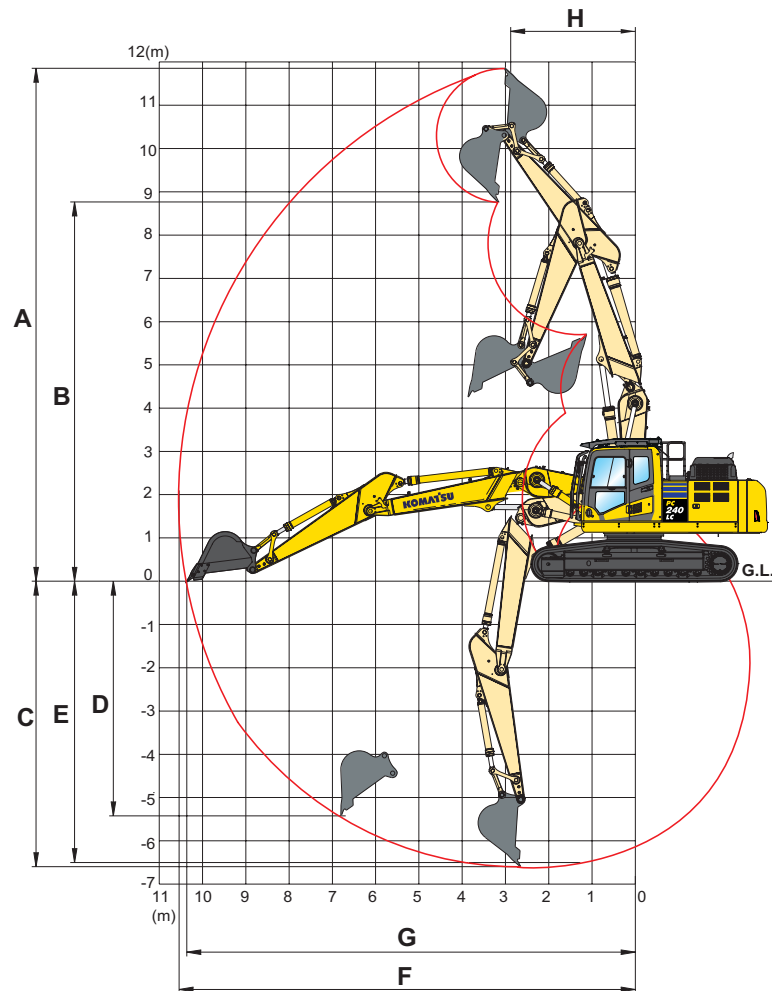
Two-piece boom

PC240LC-11		
Triple grouser shoes	Operating weight	Ground pressure
600 mm	27405 kg	0.56 kg/cm ²
700 mm	27705 kg	0.47 kg/cm ²
PC240NLC-11		
Triple grouser shoes	Operating weight	Ground pressure
600 mm	26805 kg	0.57 kg/cm ²
700 mm	27105 kg	0.48 kg/cm ²

Operating weight, including specified work equipment, 3.0 m arm, 735 kg bucket, operator, lubricant, coolant, full fuel tank.

Two-piece boom demolition

Working range



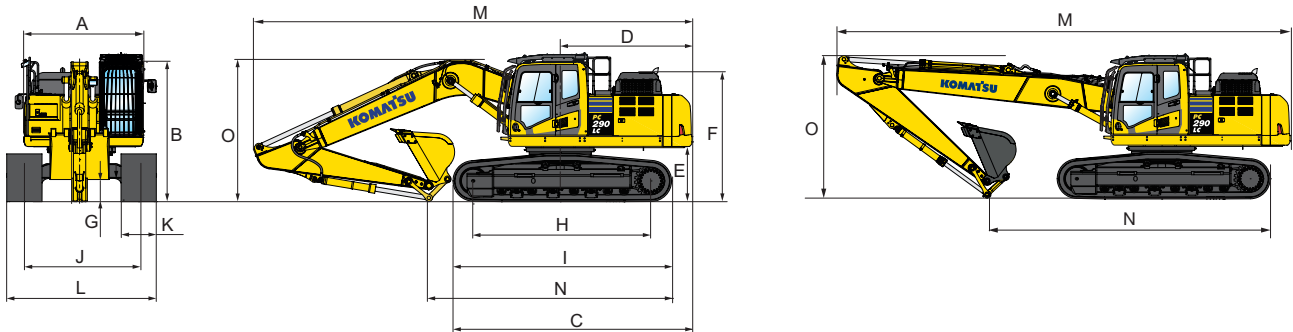
PC240LC/NLC-11

Two-piece boom

Arm length	2.5 m	3.0 m
A Max. digging height	11360 mm	11855 mm
B Max. dumping height	8265 mm	8745 mm
C Max. digging depth	6130 mm	6600 mm
D Max. vertical wall digging depth	4800 mm	5430 mm
E Max. digging depth of cut for 2.44 m level	6030 mm	6505 mm
F Max. digging reach	10000 mm	10550 mm
G Max. digging reach at ground level	9885 mm	10380 mm
H Min. swing radius	2945 mm	2875 mm
Max. recommended attachment weight (LC)*	3000 kg	2750 kg
Max. load at arm end pin (LC)	3680 kg	3330 kg
Max. recommended attachment weight (NLC)*	2600 kg	2400 kg
Max. load at arm end pin (NLC)	3250 kg	2980 kg

* Attachment manufacturer is responsible for recommending suitable attachment based on published machine performance data.

PC290LC/NLC-11



Machine dimensions

	Mono boom			Straight boom	
	PC290LC-11	PC290NLC-11	PC290LC-11	PC290NLC-11	
A Overall width of upper structure	2750 mm	2750 mm	2750 mm	2750 mm	
Overall width of upper structure (excluding side guards)	2705 mm	2705 mm	2705 mm	2705 mm	
B Overall height of cab	3390 mm	3390 mm	3390 mm	3390 mm	
Overall height of cab (excluding OPG)	3180 mm	3180 mm	3180 mm	3180 mm	
C Overall length of basic machine	5465 mm	5465 mm	5465 mm	5465 mm	
D Tail length	2985 mm	2985 mm	2985 mm	2985 mm	
Tail swing radius	3020 mm	3020 mm	3020 mm	3020 mm	
E Clearance under counterweight	1215 mm	1215 mm	1215 mm	1215 mm	
F Machine tail height (top of engine cover)	2895 mm	2895 mm	2895 mm	2895 mm	
G Ground clearance	495 mm	495 mm	495 mm	495 mm	
H Tumbler centre distance	4030 mm	4030 mm	4030 mm	4030 mm	
I Track length	4955 mm	4955 mm	4955 mm	4955 mm	
J Track gauge	2590 mm	2390 mm	2590 mm	2390 mm	
K Track shoe width	600, 700 mm	600, 700 mm	600, 700 mm	600, 700 mm	
L Overall track width with 600 mm shoe	3190 mm	2990 mm	3190 mm	2990 mm	
Overall track width with 700 mm shoe	3290 mm	3090 mm	3290 mm	3090 mm	

Transport dimensions

	Mono boom			Straight boom		
	2.65 m	3.2 m	3.5 m	2.65 m	3.2 m	3.5 m
M Transport length	10320 mm	10265 mm	10275 mm	10620 mm	10625 mm	10545 mm
N Length on ground (transport) PC290LC-11	6425 mm	5625 mm	5350 mm	7240 mm	6630 mm	6445 mm
Length on ground (transport) PC290NLC-11	6425 mm	5625 mm	5350 mm	7240 mm	6630 mm	6445 mm
O Overall height (to top of boom)	3425 mm	3340 mm	3375 mm	2990 mm	3030 mm	3325 mm

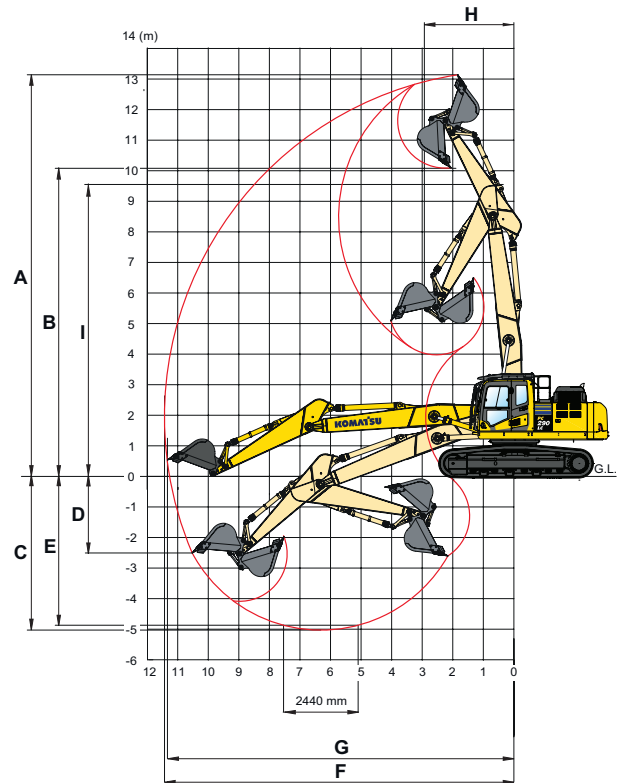
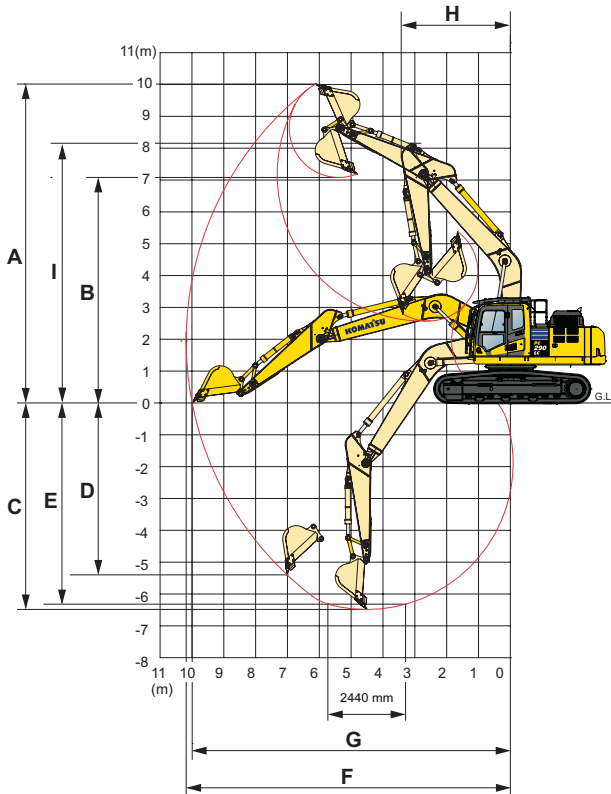
Operating weight (appr.)

PC290LC-11	Mono boom		Straight boom	
	Operating weight	Ground pressure	Operating weight	Ground pressure
Triple grouser shoes				
600 mm	30725 kg	0.58 kg/cm ²	30875 kg	0.58 kg/cm ²
700 mm	31125 kg	0.50 kg/cm ²	31275 kg	0.50 kg/cm ²
PC290NLC-11	Mono boom		Straight boom	
Triple grouser shoes	Operating weight	Ground pressure	Operating weight	Ground pressure
600 mm	30625 kg	0.58 kg/cm ²	30775 kg	0.58 kg/cm ²
700 mm	31025 kg	0.50 kg/cm ²	31175 kg	0.50 kg/cm ²

Operating weight, including specified work equipment, 3.2 m arm, 830 kg bucket, operator, lubricant, coolant, full fuel tank.

Mono boom / straight boom demolition

Working range

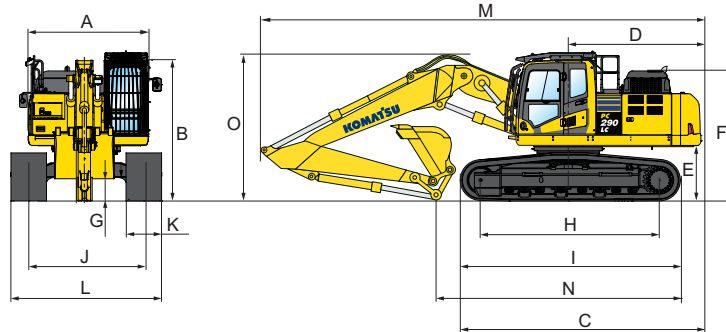


PC290LC/NLC-11

	Mono boom			Straight boom		
	2.65 m	3.2 m	3.5 m	2.65 m	3.2 m	3.5 m
A Max. digging height	9985 mm	10345 mm	10355 mm	12395 mm	12880 mm	13140 mm
B Max. dumping height	7040 mm	7370 mm	7435 mm	9330 mm	9820 mm	10085 mm
C Max. digging depth	6360 mm	6915 mm	7220 mm	4230 mm	4750 mm	5030 mm
D Max. vertical wall digging depth	5365 mm	6135 mm	5110 mm	2015 mm	2345 mm	2505 mm
E Max. digging depth of cut for 2.44 m level	6175 mm	6755 mm	7070 mm	4040 mm	4580 mm	4870 mm
F Max. digging reach	10095 mm	10635 mm	10890 mm	10650 mm	11160 mm	11430 mm
G Max. digging reach at ground level	9905 mm	10455 mm	10715 mm	10635 mm	11070 mm	11335 mm
H Min. swing radius	3740 mm	3680 mm	3740 mm	2480 mm	2770 mm	2930 mm
I Max. height at min. swing radius	8500 mm	8420 mm	8410 mm	9590 mm	9550 mm	9560 mm
Max. recommended attachment weight (LC)*	3750 kg	3450 kg	3300 kg	3750 kg	3450 kg	3300 kg
Max. load at arm end pin (LC)	4650 kg	4200 kg	3900 kg	4010 kg	3710 kg	3560 kg
Max. recommended attachment weight (NLC)*	3400 kg	3100 kg	2950 kg	3400 kg	3100 kg	2950 kg
Max. load at arm end pin (NLC)	4150 kg	3800 kg	3700 kg	3660 kg	3360 kg	3210 kg

* Attachment manufacturer is responsible for recommending suitable attachment based on published machine performance data.

PC290LC/NLC-11



Machine dimensions

Two-piece boom

	PC290LC-11	PC290NLC-11
A Overall width of upper structure	2750 mm	2750 mm
Overall width of upper structure (excluding side guards)	2705 mm	2705 mm
B Overall height of cab	3390 mm	3390 mm
Overall height of cab (excluding OPG)	3180 mm	3180 mm
C Overall length of basic machine	5465 mm	5465 mm
D Tail length	2985 mm	2985 mm
Tail swing radius	3020 mm	3020 mm
E Clearance under counterweight	1215 mm	1215 mm
F Machine tail height (top of engine cover)	2895 mm	2895 mm
G Ground clearance	495 mm	495 mm
H Tumbler centre distance	4030 mm	4030 mm
I Track length	4955 mm	4955 mm
J Track gauge	2590 mm	2390 mm
K Track shoe width	600, 700 mm	600, 700 mm
L Overall track width with 600 mm shoe	3190 mm	2990 mm
Overall track width with 700 mm shoe	3290 mm	3090 mm

Transport dimensions

Two-piece boom

	2.65 m	3.2 m	3.5 m
M Transport length	10140 mm	10110 mm	10050 mm
N Length on ground (transport) PC290LC-11	6825 mm	6155 mm	5765 mm
Length on ground (transport) PC290NLC-11	6825 mm	6155 mm	5765 mm
O Overall height (to top of boom)	3565 mm	3620 mm	3730 mm

Operating weight (appr.)

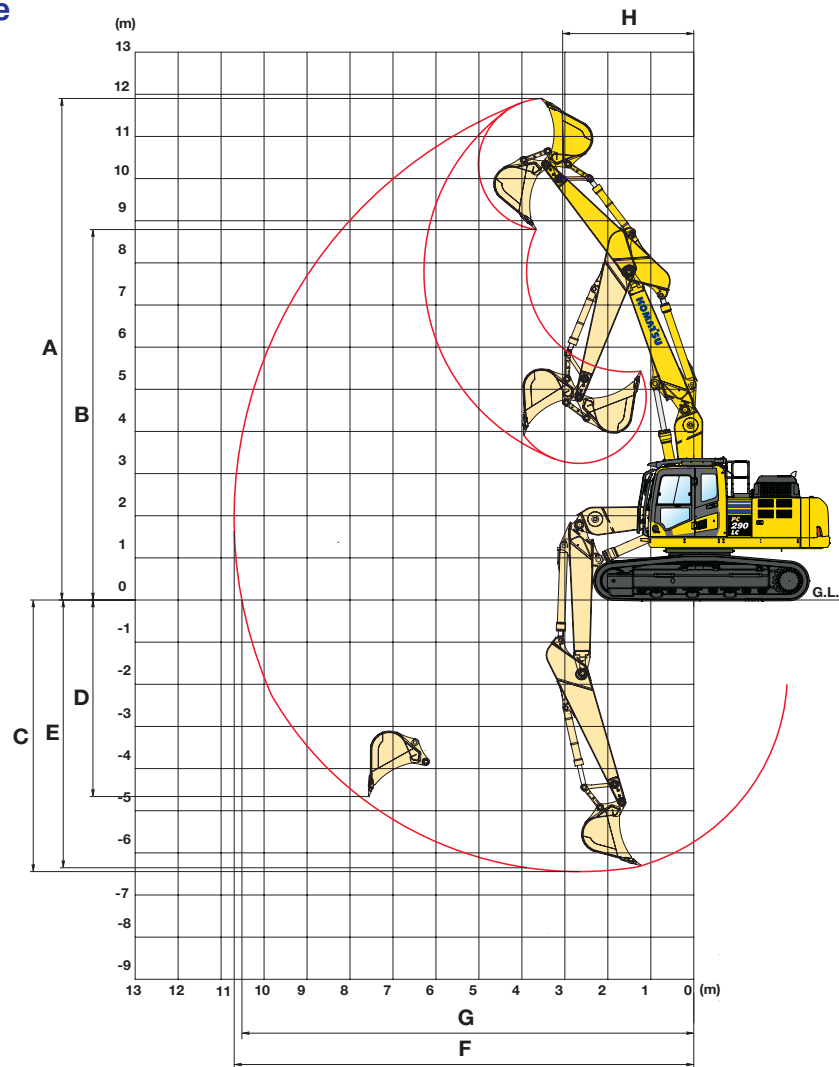
Two-piece boom

PC290LC-11		
Triple grouser shoes	Operating weight	Ground pressure
600 mm	32055 kg	0.63 kg/cm ²
700 mm	32455 kg	0.53 kg/cm ²
PC290NLC-11		
Triple grouser shoes	Operating weight	Ground pressure
600 mm	31955 kg	0.60 kg/cm ²
700 mm	32355 kg	0.51 kg/cm ²

Operating weight, including specified work equipment, 3.2 m arm, 830 kg bucket, operator, lubricant, coolant, full fuel tank.

Two-piece boom demolition

Working range



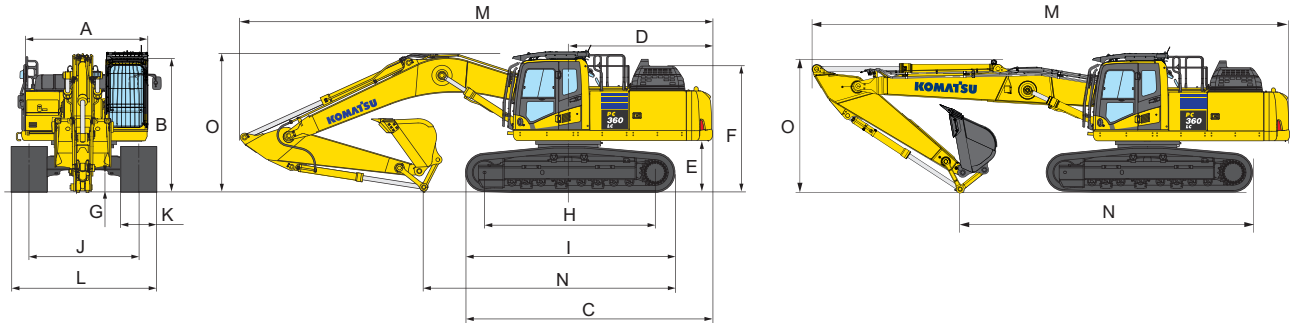
PC290LC/NLC-11

Two-piece boom

	2.65 m	3.2 m	3.5 m
A Max. digging height	11295 mm	11880 mm	12065 mm
B Max. dumping height	8315 mm	8785 mm	8985 mm
C Max. digging depth	5870 mm	6430 mm	6715 mm
D Max. vertical wall digging depth	4535 mm	5250 mm	5440 mm
E Max. digging depth of cut for 2.44 m level	5775 mm	6340 mm	6630 mm
F Max. digging reach	10120 mm	10675 mm	10945 mm
G Max. digging reach at ground level	9935 mm	10495 mm	10770 mm
H Min. swing radius	3190 mm	3055 mm	3110 mm
Max. recommended attachment weight (LC)*	3750 kg	3450 kg	3300 kg
Max. load at arm end pin (LC)	4640 kg	4190 kg	4090 kg
Max. recommended attachment weight (NLC)*	3400 kg	3100 kg	2950 kg
Max. load at arm end pin (NLC)	4640 kg	3890 kg	3790 kg

* Attachment manufacturer is responsible for recommending suitable attachment based on published machine performance data.

PC360LC/NLC-11



Machine dimensions

	Mono boom		Straight boom	
	PC360LC-11	PC360NLC-11	PC360LC-11	PC360NLC-11
A Overall width of upper structure	3050 mm	3050 mm	3050 mm	3050 mm
Overall width of upper structure (excluding side guards)	2995 mm	2995 mm	2995 mm	2995 mm
B Overall height of cab	3365 mm	3365 mm	3365 mm	3365 mm
Overall height of cab (excluding OPG)	3160 mm	3160 mm	3160 mm	3160 mm
C Overall length of basic machine	5885 mm	5885 mm	5885 mm	5885 mm
D Tail length	3405 mm	3405 mm	3405 mm	3405 mm
Tail swing radius	3445 mm	3445 mm	3445 mm	3445 mm
E Clearance under counterweight	1185 mm	1185 mm	1185 mm	1185 mm
F Machine tail height (top of engine cover)	2920 mm	2920 mm	2920 mm	2920 mm
G Ground clearance	500 mm	500 mm	500 mm	500 mm
H Tumbler centre distance	4030 mm	4030 mm	4030 mm	4030 mm
I Track length	4955 mm	4955 mm	4955 mm	4955 mm
J Track gauge	2590 mm	2390 mm	2590 mm	2390 mm
K Track shoe width	600, 700 mm	600, 700 mm	600, 700 mm	600, 700 mm
L Overall track width with 600 mm shoe	3190 mm	2990 mm	3190 mm	2990 mm
Overall track width with 700 mm shoe	3290 mm	3090 mm	3290 mm	3090 mm

Transport dimensions

	Mono boom		Straight boom	
	2.6 m	3.2 m	2.6 m	3.2 m
M Transport length	11180 mm	11145 mm	11575 mm	11505 mm
N Length on ground (transport) PC360LC-11	6760 mm	5935 mm	7965 mm	7045 mm
Length on ground (transport) PC360NLC-11	6760 mm	5935 mm	7965 mm	7045 mm
O Overall height (to top of boom)	3425 mm	3340 mm	2885 mm	3095 mm

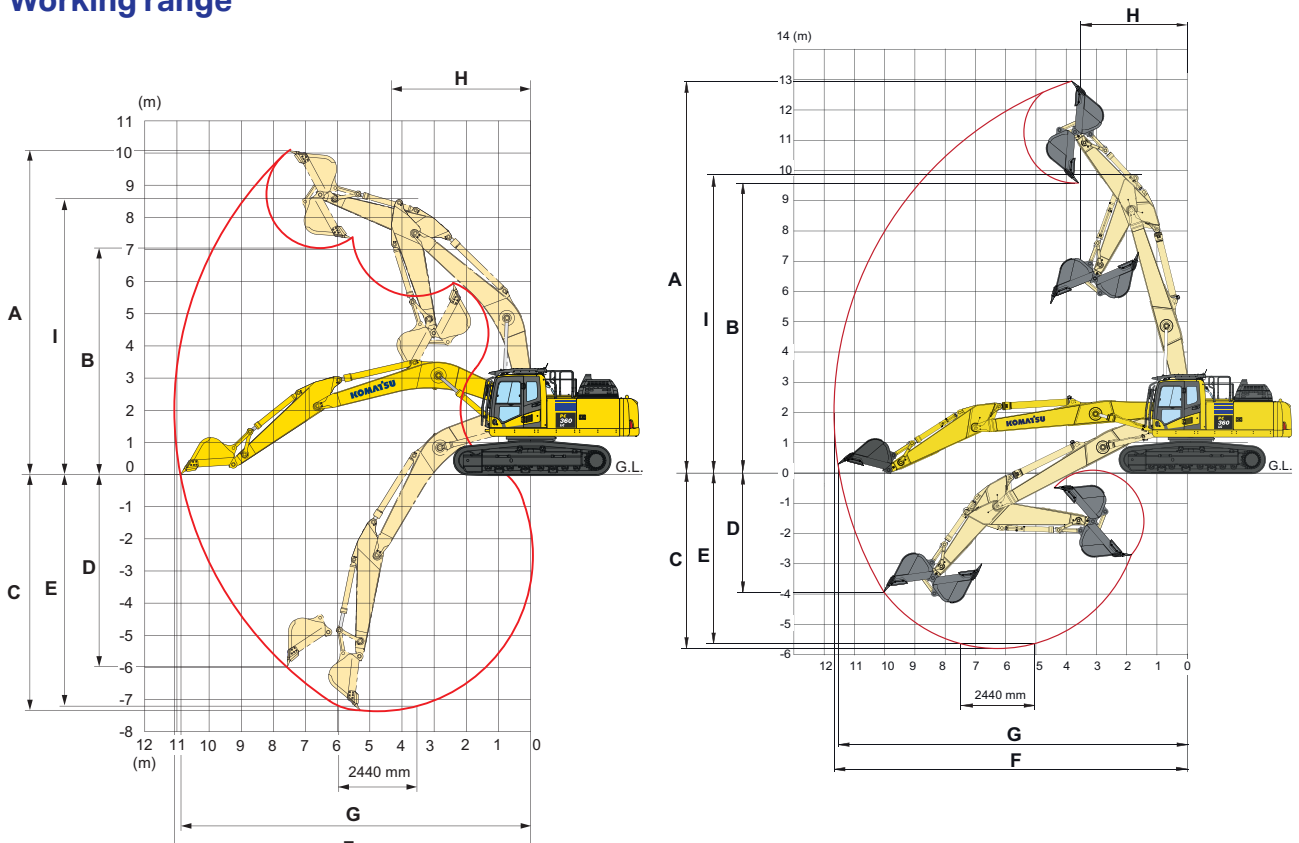
Operating weight (appr.)

PC360LC-11	Mono boom		Straight boom	
	Operating weight	Ground pressure	Operating weight	Ground pressure
Triple grouser shoes				
600 mm	36890 kg	0.69 kg/cm ²	36950 kg	0.69 kg/cm ²
700 mm	37270 kg	0.60 kg/cm ²	37330 kg	0.60 kg/cm ²
PC360NLC-11	Mono boom		Straight boom	
Triple grouser shoes	Operating weight	Ground pressure	Operating weight	Ground pressure
600 mm	36790 kg	0.69 kg/cm ²	36850 kg	0.69 kg/cm ²
700 mm	37170 kg	0.60 kg/cm ²	37230 kg	0.60 kg/cm ²

Operating weight, including specified work equipment, 3.2 m arm, 1700 kg bucket, operator, lubricant, coolant, full fuel tank.

Mono boom / straight boom demolition

Working range



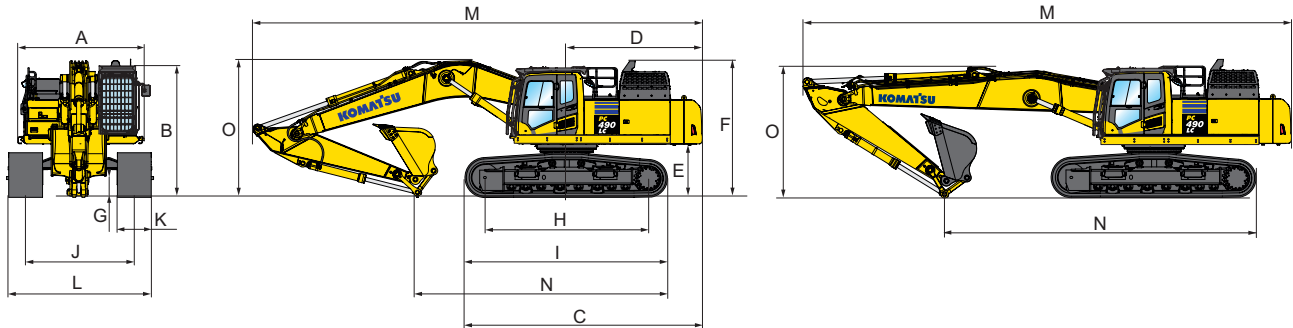
PC360LC/NLC-11

	Mono boom		Straight boom	
	2.6 m	3.2 m	2.6 m	3.2 m
Arm length	2.6 m	3.2 m	2.6 m	3.2 m
A Max. digging height	9965 mm	10210 mm	12485 mm	12940 mm
B Max. dumping height	6895 mm	7110 mm	9120 mm	9580 mm
C Max. digging depth	6705 mm	7380 mm	5150 mm	5775 mm
D Max. vertical wall digging depth	5880 mm	6480 mm	3305 mm	3910 mm
E Max. digging depth of cut for 2.44 m level	6520 mm	7180 mm	4965 mm	5615 mm
F Max. digging reach	10550 mm	11100 mm	11095 mm	11690 mm
G Max. digging reach at ground level	10355 mm	10920 mm	10955 mm	11560 mm
H Min. swing radius	4400 mm	4310 mm	3570 mm	3715 mm
I Max. height at min. swing radius	8570 mm	8520 mm	9840 mm	9825 mm
Max. recommended attachment weight (LC)*	4450 kg	4050 kg	4450 kg	4050 kg
Max. load at arm end pin (LC)	5450 kg	4950 kg	4940 kg	4590 kg
Max. recommended attachment weight (NLC)*	4000 kg	3700 kg	4000 kg	3700 kg
Max. load at arm end pin (NLC)	5015 kg	4565 kg	4540 kg	4190 kg

* Attachment manufacturer is responsible for recommending suitable attachment based on published machine performance data.

Demolition excavators

PC490LC-11



Machine dimensions

	Mono boom	Straight boom
A Overall width of upper structure	3060 mm	3060 mm
Overall width of upper structure (excluding side guards)	2995 mm	2995 mm
B Overall height of cab	3525 mm	3525 mm
Overall height of cab (excluding OPG)	3360 mm	3360 mm
C Overall length of basic machine	6300 mm	6300 mm
D Tail length	3605 mm	3605 mm
Tail swing radius	3645 mm	3645 mm
E Clearance under counterweight	1385 mm	1385 mm
F Machine tail height (top of engine cover)	3630 mm	3630 mm
G Ground clearance	700 mm	700 mm
H Tumbler centre distance	4350 mm	4350 mm
I Track length	5385 mm	5385 mm
J Track gauge (working)	2890 mm	2890 mm
K Track shoe width	600, 700 mm	600, 700 mm
L Overall track width with 600 mm shoes	3490 mm - 2990 mm	3490 mm - 2990 mm
Overall track width with 700 mm shoes	3590 mm - 3090 mm	3590 mm - 3090 mm

Transport dimensions

	Mono boom		Straight boom	
	2.9 m	3.4 m	2.9 m	3.4 m
M Transport length	12000 mm	11930 mm	12880 mm	12810 mm
N Length on ground (transport)	7620 mm	6875 mm	9130 mm	8385 mm
O Overall height (to top of boom)	3670 mm	3635 mm	3455 mm	3420 mm

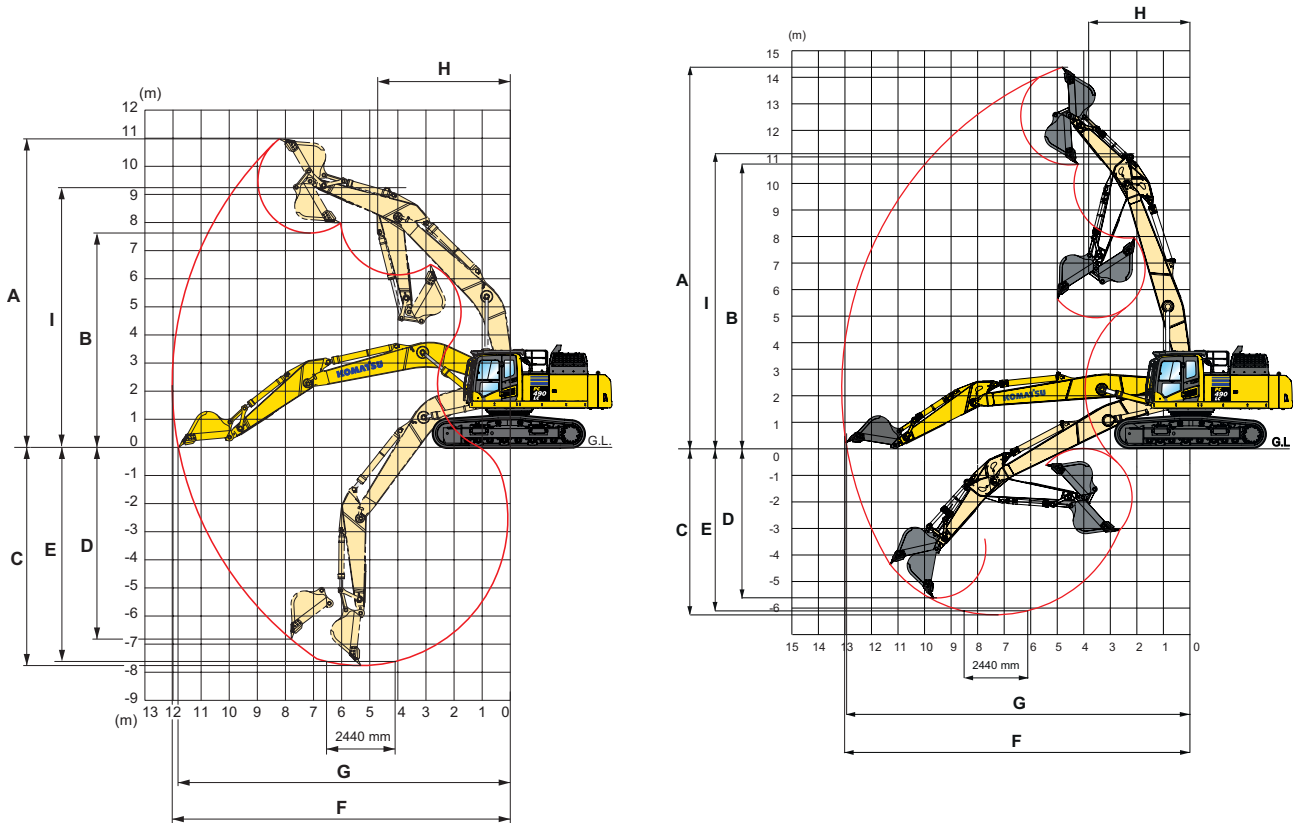
Operating weight (appr.)

	Mono boom		Straight boom	
	Operating weight	Ground pressure	Operating weight	Ground pressure
Triple grouser shoes				
600 mm	48375 kg	0.84 kg/cm ²	48590 kg	0.85 kg/cm ²
700 mm	48875 kg	0.73 kg/cm ²	49090 kg	0.74 kg/cm ²

Operating weight, including specified work equipment, 3.4 m arm, 1915 kg bucket, operator, lubricant, coolant, full fuel tank.

Mono boom / straight boom demolition

Working range



PC490LC-11

Mono boom

Straight boom

Arm length	2.9 m	3.4 m	2.9 m	3.4 m
A Max. digging height	10350 mm	10980 mm	14025 mm	14380 mm
B Max. dumping height	7145 mm	7630 mm	10350 mm	10700 mm
C Max. digging depth	7280 mm	7755 mm	5810 mm	6255 mm
D Max. vertical wall digging depth	5635 mm	6805 mm	4000 mm	4360 mm
E Max. digging depth of cut for 2,44 m level	7090 mm	7615 mm	5630 mm	6105mm
F Max. digging reach	11445 mm	12030 mm	12680 mm	13120 mm
G Max. digging reach at ground level	11215 mm	11810 mm	12500 mm	12960 mm
H Min. swing radius	4810 mm	4735 mm	3835 mm	3700 mm
I Max. height at min. swing radius	8553 mm	9825 mm	11115 mm	11115 mm
Max. recommended attachment weight (LC)*	5750 kg	5350 kg	5750 kg	5350 kg
Max. load at arm end pin (LC)	7865 kg	7315 kg	6360 kg	5960 kg

* Attachment manufacturer is responsible for recommending suitable attachment based on published machine performance data.

Standard and optional equipment

Engine and related parts

Komatsu turbocharged common rail direct injection diesel engine	●
EU Stage V compliant	●
Suction type cooling fan with radiator fly screen (PC490 fitted with reversible type fan)	●
Automatic engine warm-up system	●
Engine overheat prevention system	●
Fuel control dial	●
Auto-deceleration function	●
Adjustable idle shutdown	●
Engine key stop	●
Engine ignition can be password secured on request	●
Diesel fuel, conforming to EN590 Class 2/Grade D. Paraffinic fuel capability (HVO, GTL, BTL), conforming to EN 15940:2016	●

Service and maintenance

Automatic fuel line de-aeration	●
Double element type air cleaner with dust indicator and auto dust evacuator	●
Komtrax – Komatsu wireless monitoring system (4G)	●
Komatsu Care – a maintenance program for Komatsu customers	●
Multifunction video compatible colour monitor with Equipment Management and Monitoring System (EMMS) and efficiency guidance	●
Toolkit	●
Service points	●
Automatic greasing system (mono boom specifications)	○

Undercarriage

Track roller guards	●
Track frame under-guards	●
Triple grouser shoes	●
Full length track roller guards	○

Drives and brakes

Hydrostatic, 3-speed travel system with automatic shift and planetary gear type final drives, and hydraulic travel and parking brakes	●
PPC control levers and pedals for steering and travel	●

Cabin

Demolition specification Safety SpaceCab™, with Komatsu high visibility ISO 10262 level 2 FOPS guards. Fixed, one piece front window. Front and roof window fitted with high impact protective laminated glass, compliant with EN356 Grade P5A, in accordance with EN474 Part 1; Annex G	●
Heated, high-back air-suspended seat with lumbar support, console mounted height adjustable arm rests, and retractable seat belt	●
Automatic climate control system	●
12/24 Volt power supplies	●
USB-A / USB-C power supplies	●
Utility bar	●
Beverage holder and magazine rack	●
Hot and cool box	●
DAB+ radio with Bluetooth®, USB, AUX and hands-free kit	●
Roof window wiper/wash system	●
Premium comfort seat	○
Lower wiper	○

Hydraulic system

Electronic closed-centre load sensing (E-CLSS) hydraulic system (HydrauMind)	●
Pump and engine mutual control (PEMC) system	●
6-working mode selection system; power mode, economy mode, breaker mode, attachment power and attachment economy mode, and lifting mode	●
PowerMax function	●
PPC wrist control levers for arm, boom, bucket and swing, with sliding proportional control for attachments and 3 auxiliary buttons	●
Prepared for hydraulic quick-coupler	●
Additional hydraulic functions	●
Attachment drain line	●
Komatsu Integrated Attachment Control (KIAC)	●

Work equipment

Reinforced bucket linkage	●
Mono boom	○
Straight boom (PC240/290/360/490)	○
Two-piece boom (PC240/290)	○
Bucket cylinder guard	○
Komatsu buckets	○
Komatsu breakers	○

Safety equipment

Compliant with EN474-1 Demolition Annex G	●
KomVision surround view system	●
Electric horn	●
Overload warning device	●
Audible travel alarm	●
Boom safety valves	●
Arm safety valve	●
Large handrails	●
Rear-view mirrors (for cab adjustable without tools)	●
Battery main switch	●
ROPS compliant to ISO 12117-2:2008	●
Emergency engine stop switch	●
Seat belt caution indicator	●
Neutral position detection system	●
OPG Level II front guard (FOPS), hinged type	●
OPG Level II top guard (FOPS)	●

LED lighting system

Working lights: 2 revolving frame	●
Coming home light function	●
Additional working lights (#1): 2 cab roof (front), 1 cab roof (rear), 1 boom (r.h.), 1 counterweight, beacon	○
Additional working lights (#2): 4 cab roof (front), 1 cab roof (rear), 1 boom (r.h.), 1 counterweight, 2 revolving frame (l.h. + r.h.), beacon	○

Other equipment

Standard counterweight	●
Remote greasing for swing circle and pins	●
Electric refuelling pump with automatic shut-off function	●
Heavy duty side impact protection	●
Heavy duty protection underside of upperstructure	●
Biodegradable oil for hydraulic system	○
Customised paint	○

Further equipment on request

- standard equipment
- optional equipment

This specification sheet may contain attachments and optional equipment that are not available in your area. Please consult your local Komatsu distributor for those items you may require. Materials and specifications are subject to change without notice.

Your Komatsu partner:

KOMATSU

[komatsu.eu](https://www.komatsu.eu)

