

MOROOKA EUROPE



**360°
Rotation**

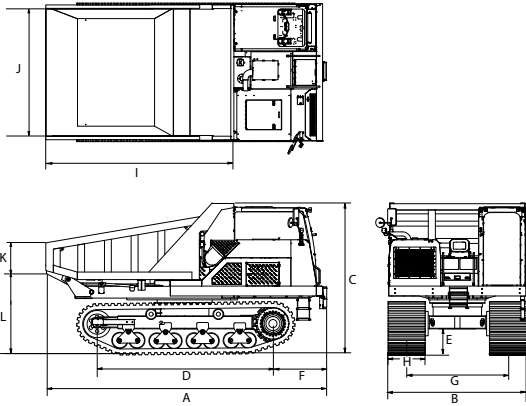
MST-3000VDR US MODEL

**Full Rotating
Rubber Crawler Carrier**

Max Payload 15.5 T

**CARRIER for SOFT, SANDY, and
ROUGH TERRAIN**

MST-3000VDR



Joystick driving lever



Better Visibility on right side



Easy Control with HST drive system



360° rotation brings more security, less stress and fatigue to the driver

Model		MST-3000VDR		DUMP BODY			TANK CAPACITY			
PERFORMANCE				Overall Length	I	mm	4,057	Fuel Tank	ℓ	222
Maximum Payload	Kg		15,500	Overall Width	J	mm	2,730	Hydraulic Tank	ℓ	177
Loading Capacity	m ³		9.30	Overall Height	K	mm	598	Fuel Consumption (at rated Output)	ℓ/h	64.9
Speed1 Low	Km/h		8	Ground Clearance	L	mm	1,807	DRIVE SYSTEM		
Speed2 High	Km/h		12	ENGINE			HST			
Ground Pressure(empty)	Kg/cm ²		0,28	Model	CAT C7.1 Tier 4 final Stage 5		GRADEABILITY			
Ground Pressure(Loaded)	Kg/cm ²		0,53	Nominal Output/rpm	HP(kw)/rpm	300(242)/2,200	Fully loaded: 27% (15 degree) Continuous			
MACHINE DIMENSION				Torque	N.m/min-1	1,480/1,400	OTHER			
Machine Weight	Kg		19,400	HYDRAULIC PUMP			Cabin (ROPS) Air conditioner Radio 360° rotation Rear Camera			
Overall Length	A	mm	6,048	Main Pump	2x variable displacement axial piston pump					
Overall Width	B	mm	2,991	Range	cc/REV	165				
Overall Height	C	mm	3,260	Pilot pump	1x gear pump					
Wheelbase	D	mm	3,790	Range	cc/REV	65				
Min. Ground Clearance	E	mm	565	HYDRAULIC MOTOR						
Front Overhang	F	mm	744	Travel Motor	2x variable displacement axial piston motors					
Crawler Distance	G	mm	2,185	Swing Motor	1x axial piston motor					
Crawler Width	H	mm	800							
Crawler Size		mm	800 x 150 x 66							

Remarks: Specification may be changed without any notice.

MOROOKA EUROPE

Im Neugrund 14
64521 Gross-Gerau
Germany

Web: www.morookaeurope.com



Contact

