

MOROOKA EUROPE

HIGH EFFICIENCY IN MOTION



MST-4000VDR

Max. Payload 20T.

Full Rotating
Rubber crawler carrier

CARRIER for SOFT, SANDY and
ROUGH TERRAIN

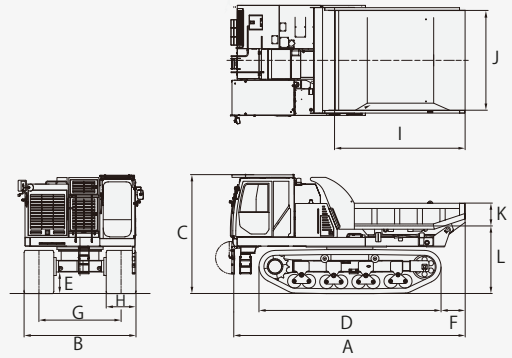


360° rotation brings more security, less stress and fatigue to the driver



Easy Control with HST drive system

Unit : mm



Model		MST-4000VDR							
PERFORMANCE				DUMP BODY			TANK CAPACITY		
Maximum Payload	Kg	20,000	Overall Length	I	mm	3,800	Fuel Tank	ℓ	400
Loading Capacity (Struck)	m ³	7,8	Overall Width	J	mm	2,850	Hydraulic Tank	ℓ	280
Speed1 Low	Km/h	7.3	Overall Height	K	mm	900	Liquide cooling Tank	ℓ	54
Speed2 High	Km/h	11.2	Ground Clearance	L	mm	1,940	DRIVE SYSTEM		
Ground Pressure(empty)	kPa	45	ENGINE				HST		
Ground Pressure(Loaded)	kPa	81.4	Model	CAT 9.3B Tier 4 final Stage 5			GRADEABILITY		
MACHINE DIMENSION				Nominal Output/rpm	HP(kw)/rpm	415,7(310)/2,200	Fully loaded: 27 % (15 degree) Continuous		
Machine Weight	Kg	24,740	Torque	N.m/min-1	1,904/1,400	OTHER			
Overall Length	A	mm	6,800	HYDRAULIC PUMP			Cabin (ROPS/FOPS) Joystick control Hardox Dump Body Eco-mode Auto Deceleration Rear Camera Side Camera		
Overall Width	B	mm	3,200	Main Pump					
Overall Height	C	mm	3,400	2x variable displacement axial piston pump					
Wheelbase	D	mm	4,280	Pilot pump					
Min. Ground Clearance	E	mm	620	1x gear pump					
Front Overhang	F	mm	1,360	HYDRAULIC MOTOR					
Crawler Distance	G	mm	2,350	Travel Motor					
Crawler Width	H	mm	850	2x variable displacement axial piston motors					
Crawler Size		mm	850x 175x 64	Swing Motor					
				1x axial piston motor					

Remarks: Specification may be changed without any notice.

MOROOKA EUROPE

Im Neugrund 14
 64521 Gross-Gerau, Germany
 Tel: +49 (0)61529778-0
 Fax: +49 (0)61529778-15
 Web: www.morookaeurope.com

Contact