

MOROOKA EUROPE

HIGH EFFICIENCY IN MOTION



MST80CR

Max. Payload 8T.

**Full Rotating
Rubber crawler carrier**

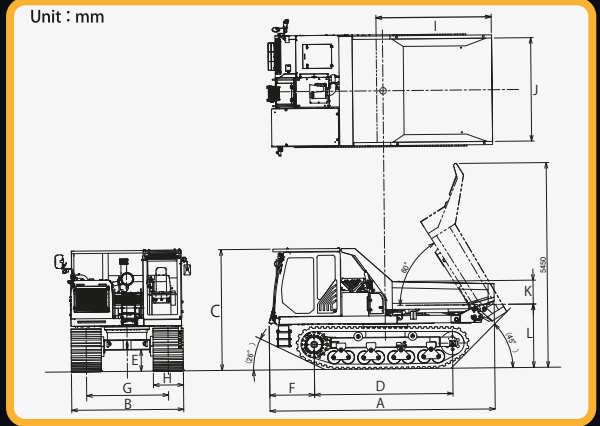
**CARRIER for SOFT, SANDY and
ROUGH TERRAIN**



360° rotation brings more security, less stress and fatigue to the driver



Easy Control with HST drive system



Model		MST80CR									
PERFORMANCE				DUMP BODY				TANK CAPACITY			
Maximum Payload	Kg	8,000	Overall Length	I	mm	2,600	Fuel Tank	ℓ	230		
Loading Capacity (Struck)	m ³	2.8	Overall Width	J	mm	2,350	Hydraulic Tank	ℓ	125		
Speed1 Low	Km/h	7.38	Overall Height	K	mm	500	DEF Tank	ℓ	35		
Speed2 High	Km/h	10.6	Ground Clearance	L	mm	1,585	DRIVE SYSTEM				
Ground Pressure(empty)	kPa	31.5	ENGINE				HST				
Ground Pressure(Loaded)	kPa	50.2	Model	KUBOTA V5009 Tier 4 final Stage 5			GRADEABILITY				
MACHINE DIMENSION							Fully loaded: 27 % (15 degree) Continuous				
Machine Weight	Kg	13,500	Nominal Output/rpm	HP(kw)/rpm	210.9(157.3)/2,200		OTHER				
Overall Length	A	mm	Torque	N.m/min-1	883/1,500		Cabin (ROPS/FOPS) Joystick control Hardox Dump Body Auto Deceleration Rear Camera Side Camera				
Overall Width	B	mm	HYDRAULIC PUMP								
Overall Height	C	mm	Main Pump	2x variable displacement axial piston pump							
Wheelbase	D	mm	3,890	Pilot pump	1x gear pump						
Min. Ground Clearance	E	mm	570	HYDRAULIC MOTOR							
Front Overhang	F	mm	955	Travel Motor	2x variable displacement axial piston motors						
Crawler Distance	G	mm	1,800	Swing Motor	1x axial piston motor						
Crawler Width	H	mm	700								
Crawler Size	mm	700x 100x 98									

Remarks: Specification may be changed without any notice.

MOROOKA EUROPE

Im Neugrund 14
64521 Gross-Gerau, Germany
Tel: +49 (0)61529778-0
Fax: +49 (0)61529778-15
Web: www.morookaeurope.com

Contact