

DIECI



MINI AGRI

26.6



dieci.com

PERFORMANCE

| | |
|--|----------------------|
| Vehicle model | MINI AGRI 26.6 |
| Maximum capacity | 2600 kg (5732 lb) |
| Maximum lifting height | 5,68 m (18,6 ft) |
| Maximum horizontal extension | 3,2 m (10,5 ft) |
| Fork swiveling angle | 129° |
| Pull-out force | 7600 daN (17085 lbf) |
| Towing force | 4400 daN (9892 lbf) |
| Maximum climb angle | 40% |
| Unladen weight | 5000 kg (11023 lb) |
| Max speed (referred to wheels with maximum permitted diameter) | 30 km/h (18,6 mph) |

BOOM

| | |
|-------------------|----------------|
| Vehicle model | MINI AGRI 26.6 |
| Lifting | 7,8 s |
| Descent | 4,1 s |
| Extension | 6,1 s |
| Retraction | 3,4 s |
| Forward swiveling | 3,5 s |
| Reverse swiveling | 2,2 s |

ENGINE

| | |
|-------------------------------------|---|
| Vehicle model | MINI AGRI 26.6 |
| Brand | Kubota |
| Nominal power | 55 kW (74 HP) |
| @rpm | 2600 rpm |
| Operation | 4-stroke |
| Injection | Electronic, Common rail |
| Number and arrangement of cylinders | 4, Vertical in line |
| Displacement | 3331 cm ³ (203 in ³) |
| Consumption | 231 g/kWh (380 lb/Hp h) |
| @rpm | 2600 rpm |
| Emission standard | Stage V/Tier 4f |
| Exhaust gas treatment | Catalyst + Particulate filter (DOC+DPF) |
| Cooling system | Liquid |
| Intake | Turbo compressor |

DIFFERENTIAL AXLES

| | |
|------------------|---|
| Vehicle model | MINI AGRI 26.6 |
| Type of axles | 2 steering, with 4 epicycloidal reduction gears |
| Type of steering | 4 wheels / transversal / 2 wheels |
| Front axle | Rigid |
| Rear axle | Swinging |
| Service braking | Oil bath on front axle |
| Parking braking | Negative actuation with electrical control |

HYDRAULIC SYSTEM

| | |
|-------------------------|--|
| Vehicle model | MINI AGRI 26.6 |
| Hydraulic pump type | Gear pump for power steering and movements |
| Hydraulic pump capacity | 80 L/min (21,1 gal/min) |
| Max. operating pressure | 23,0 MPa (3336 psi) |
| Distributor control | 4 in 1 proportional Joystick |

REFUELING

| | |
|--------------------------|--------------------|
| Vehicle model | MINI AGRI 26.6 |
| Hydraulic system (total) | 70,0 L (18,49 gal) |
| Fuel tank | 80,0 L (21,13 gal) |

TRANSMISSION

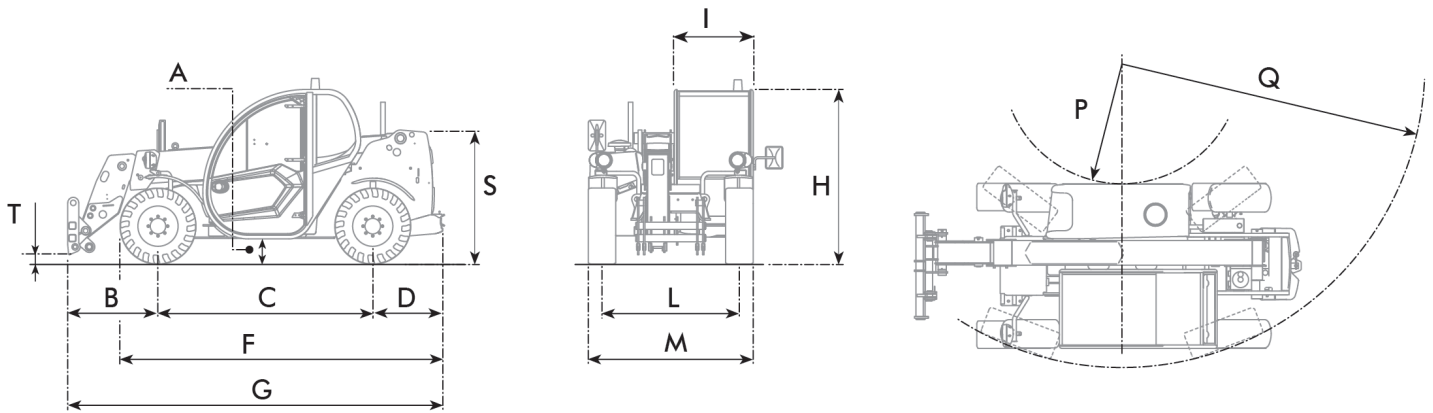
| | |
|-------------------|---|
| Vehicle model | MINI AGRI 26.6 |
| Transmission type | Single speed Hydrostatic transmission with variable displacement pump |
| Hydraulic motor | Hydrostatic with continuous automatic adjustment |
| Reversal | Electro-Hydraulic |
| Inching | With hydraulic pedal for controlled forward movement |

TIRES

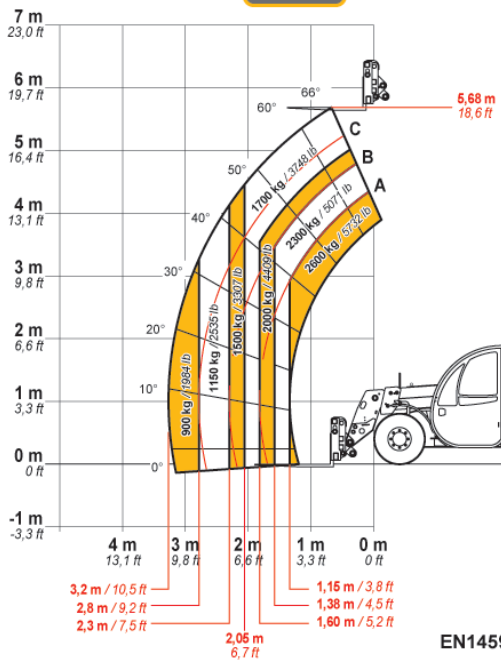
| | |
|----------------|---|
| Vehicle model | MINI AGRI 26.6 |
| Standard tires | 12x16.5" |
| Optional tires | 15.0/55-17" - 12.0/75-18" - 280/80 R20" |

DIMENSIONS

| | |
|---------------|--------------------|
| Vehicle model | MINI AGRI 26.6 |
| A | 270 mm (10,6 in) |
| B | 985 mm (38,8 in) |
| C | 2350 mm (92,5 in) |
| D | 765 mm (30,1 in) |
| F | 3535 mm (139,2 in) |
| G | 4125 mm (162,4 in) |
| H | 1950 mm (76,8 in) |
| I | 1850 mm (72,8 in) |
| L | 1500 mm (59,1 in) |
| M | 1850 mm (72,8 in) |
| P | 1460 mm (57,5 in) |
| Q | 3555 mm (140 in) |
| S | 1433 mm (56,4 in) |
| T | 200 mm (7,9 in) |



MAX
2600 kg / 5732 lb



DOC10000822



26.6

EN1459 Annex-B



Dieci Srl - Via E. Majorana, 2-4 - 42027 - Montecchio Emilia (RE) ITALY

Tel. +39 0522 869611 - Fax +39 0522 869798 - E-mail: info@dieci.com - www.dieci.com

DOCCT0000007-EN-02