

# KOMATSU

## WA200-8

EU Stage IV Engine

WHEEL LOADER

# WA200



**ENGINE POWER**

95,2 kW / 128 HP @ 2.000 rpm

**OPERATING WEIGHT**

11.865 - 13.065 kg

**BUCKET CAPACITY**

1,9 - 2,0 m<sup>3</sup>

# Walk-Around

W/A2000-8



**ENGINE POWER**

95,2 kW / 128 HP @ 2.000 rpm

**OPERATING WEIGHT**

11.865 - 13.065 kg

**BUCKET CAPACITY**

1,9 - 2,0 m<sup>3</sup>



## INCREASED FUEL EFFICIENCY AND ENVIRONMENTAL PERFORMANCE

### *Powerful and Environmentally Friendly*

- EU Stage IV engine
- Komatsu SmartLoader Logic
- Highly efficient hydrostatic drive line
- High efficiency buckets
- Adjustable idle shutdown

### *First-Class Comfort*

- New, air-suspended operator seat
- Large multifunctional monitor
- Low-noise design
- Rear-view camera system
- DAB+ digital radio

### *PZ-Linkage*

- Combines advantages of Z-bar linkage with parallel lift
- Fast pallet handling
- Excellent break-out force and easy bucket fill
- High tilt forces give perfect control of heavy attachments

### *Responsive Hydrostatic Drive Line (HST)*

- Instant response for fast loading cycles
- Easy control in confined areas
- Advanced traction control system for best traction and minimized tyre wear
- Top speed selection for increased safety

### *Easy Maintenance*

- Wide-core radiator with auto reverse fan
- Improved gull-wing type engine doors
- Factory fitted automatic lubrication system

### *KOMTRAX*

- Komatsu Wireless Monitoring System
- 3G mobile communications
- Integrated communication antenna
- Increased operational data and fuel savings



A maintenance program  
for Komatsu customers

# Powerful and Environmentally Friendly



## Highly efficient hydrostatic drive line

The electronically controlled variable pump and 2-motor system allow highly efficient and powerful operation. At low speeds both motors are engaged to provide highest torque. Bucket filling and scooping are easy, as maximum rim pull is provided from zero travel speed. At high speeds, a clutch cuts off the low speed motor to eliminate drag and achieve excellent fuel efficiency.

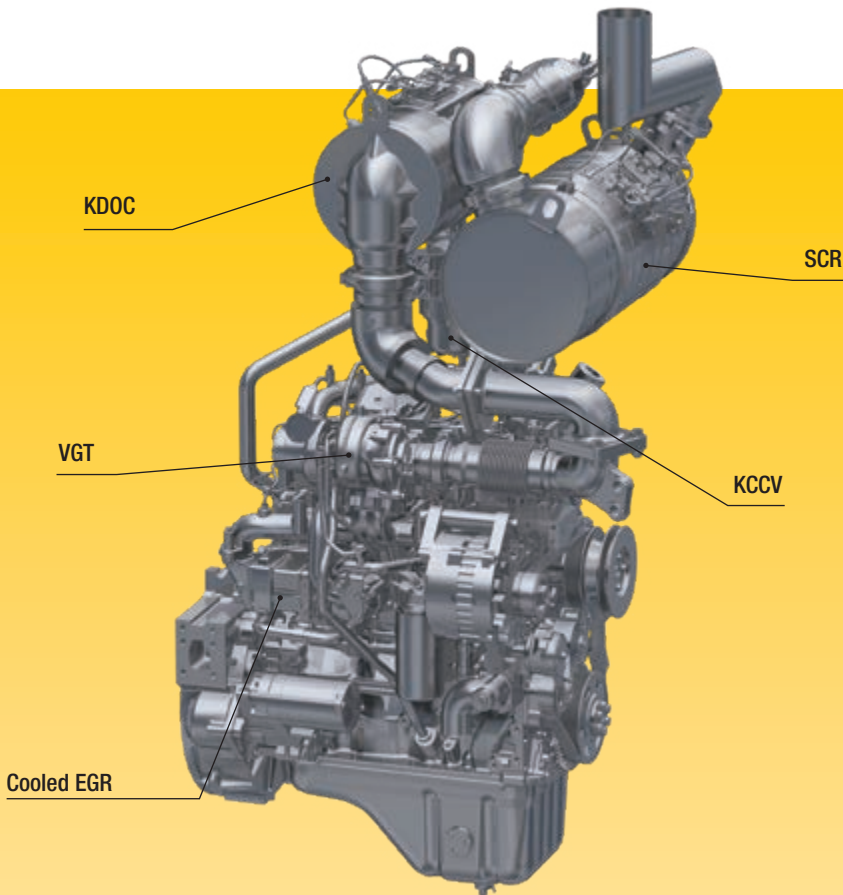
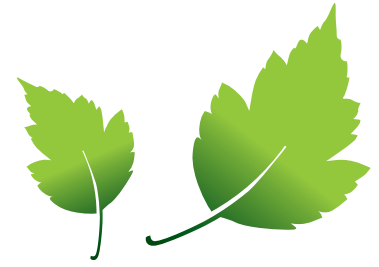
## Komatsu SmartLoader Logic

The WA200-8 provides Komatsu SmartLoader Logic, a fully automatic engine control system. Without interfering with normal operations, this technology acquires data from various sensors in the vehicle and delivers optimal engine torque for each work phase. It limits torque during less demanding operations and reduces fuel usage without decreasing production.

## Adjustable idle shutdown

The Komatsu auto idle shutdown automatically turns off the engine after it idles for a set period of time. This feature can easily be programmed from 5 to 60 minutes, to reduce unnecessary fuel consumption and exhaust emissions, and to lower operating costs. An Eco-gauge and the Eco guidance tips on the cab monitor further encourage efficient operations.

WA200-8



### Komatsu EU Stage IV

The Komatsu EU Stage IV engine is productive, dependable and efficient. With ultra-low emissions, it provides a lower environmental impact and a superior performance to help reduce operating costs and lets the operator work in complete peace of mind.

### Heavy-duty aftertreatment

The aftertreatment system combines a Komatsu Diesel Oxidation Catalyst (KDOC) and Selective Catalytic Reduction (SCR). The SCR injects the correct amount of AdBlue® into the system at the proper rate to break down NOx into water (H<sub>2</sub>O) and non-toxic nitrogen gas (N<sub>2</sub>).

#### Exhaust Gas Recirculation (EGR)

Cooled EGR is a technology well-proven in current Komatsu engines. The increased capacity of the EGR cooler now ensures very low NOx emissions and a better engine performance.

#### Komatsu Closed Crankcase Ventilation (KCCV)

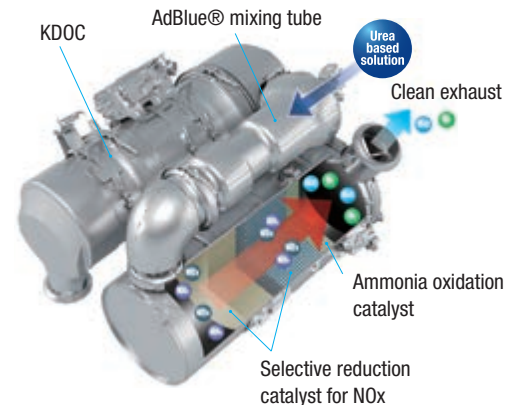
Crankcase emissions (blow-by gas) are passed through a CCV filter. The oil mist trapped in the filter is returned back to the crankcase while the filtered gas is returned to the air intake.

#### High-Pressure Common Rail (HPCR)

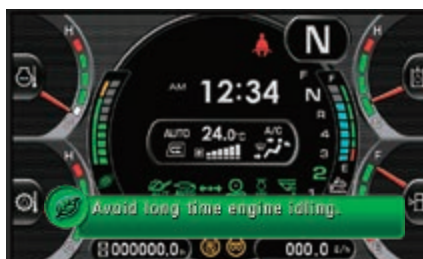
To achieve complete fuel burn and lower exhaust emissions, the heavy-duty High-Pressure Common Rail fuel injection system is computer controlled to deliver a precise quantity of pressurised fuel into the redesigned engine combustion chamber by multiple injections.

#### Variable Geometry Turbo (VGT)

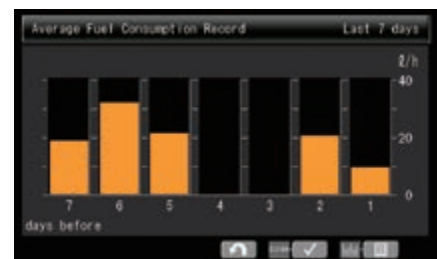
The VGT provides optimal airflow to the engine combustion chamber under all speed and load conditions. Exhaust gas is cleaner, fuel economy is improved while machine power and performance are maintained.



Adjustable idle shutdown automatically turns off the engine after it idles for a set period of time



Eco-gauge and an Eco guidance with active recommendations help maximising fuel savings



Fuel consumption history

# Multipurpose PZ-Linkage

## One machine for all applications

The PZ = “parallel Z-bar” has the added advantage of parallel lift for pallet moving and high tilt forces to handle large attachments. The PZ-linkage turns your WA200-8 into a true multipurpose machine ready to take on any job.

## Parallel lift for fast pallet handling

With the parallel lift PZ-linkage, pallet moving becomes easy. The parallelism has been optimized for safe work over the entire lifting range. The excellent visibility of the front attachment allows an easy pick-up of pallets and precise work when loading onto trucks.

## Easy bucket fill

The superior break-out force of the WA200-8 turns loading into a child’s play, even for an untrained operator. More experienced workers will also appreciate this feature, particularly when working with high density material such as heavy soil or aggregate.

## Controlled work with heavy attachments

With the PZ-linkage design, tilting forces reach an optimal level, especially at maximum boom height. This is essential for controlling large attachments such as high dump buckets or other oversized buckets. The WA200-8 is the ideal choice when working with heavy attachments.

## Best in class dumping height

The long lifting frame allows the best in class dumping height of 2,93 m with a straight tipping load of 9,1 tonnes (with 2,0 m<sup>3</sup> flat bottom bucket, measured to the cutting edge). With this working range, loading high feeders or trucks becomes easy and fast.



WA200-8



# Responsive Hydrostatic Drive Line (HST)

## Instant response for fast loading cycles

The Komatsu HST drive line features exceptional responsiveness that results in quick acceleration and fast forward/reverse changes. The drive line reacts to the operator's command without any time lag and instantly provides torque at the wheels. This allows for fast loading cycles and higher productivity.

## Advanced traction control system

An advanced control system manages the HST pump, motor and engine to automatically optimise traction depending on work conditions. Rim pull can be set to 3 different levels to prevent wheels from spinning on any ground, even when operating in snow (S-mode). Constant traction increases productivity and reduces tyre wear and cost.

## Easy control in confined areas

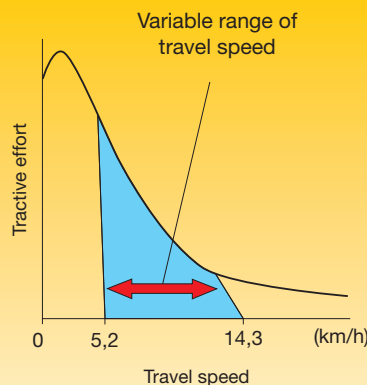
The self braking effect of the HST drive line slows down the machine when the accelerator pedal is released. Uncontrolled rolling is prevented, and safety is greatly improved, especially when working in confined spaces or inside industrial buildings. In addition, brake wear is practically eliminated.

## Top speed selection for increased safety

The variable shift control allows setting the top speed for improved safety and precision. The top speed can be adjusted to the working conditions: max speed for fast travelling between jobsites, reduced speed to increase the safety when working on jobsites with high traffic or for working in confined spaces. In position 1, the speed can be continuously adjusted between 5,2 and 14,3 km/h with the fine control. This allows constant low driving speeds that are perfectly adjusted to applications such as lawn mowing or milling jobs.



Variable shift control dial with creeping speed range (left) and variable traction control system switch (right)







# First-Class Comfort

## New, fully air-suspended operator seat

The wide spacious cab features a new, fully air-suspended operator seat with a high back, fully adjustable, standard heated seat for improved comfort. A seat ventilation is optionally available to maximise comfort.

## PPC multi-function lever

The PPC multi-function lever with electronic control for 3rd spool (EPC) is standard. It includes a forward-neutral-reverse switch for quick and easy travel. Third spool attachments can be set to continuous or proportional control via the monitor panel, to let the operator control the boom, bucket and attachment with a single lever.

## Improved operator convenience

With increased in-cab storage space, an auxiliary input (MP3 jack) and 12 V and 24 V power supply, the cab offers maximum convenience. The automatic air conditioner allows the operator to easily and precisely set the cab's atmosphere.

## Rear view camera

A standard fitment camera gives an exceptionally clear view of the rear work zone on the wide-screen colour monitor panel. The low profile camera is adjustable and integrated into the engine hood's shape.



*Auxiliary input (MP3 jack)*



*Hot and cool box*



*Convenient storage space*



*PPC multi-function lever*

WA2000-8



# Information & Communication Technology



## Lower operating costs

Komatsu ICT contributes to the reduction of operating costs by assisting to comfortably and efficiently manage operations. It raises the level of customer satisfaction and the competitive edge of our products.

## Large TFT colour monitor

A large user-friendly colour monitor enables safe, accurate and smooth work. Multilingual and with all essential information available at a glance, it features simple and easy-to-operate switches and multifunction keys that provide fingertip access to a wide range of functions and operating information.

## Eco guidance

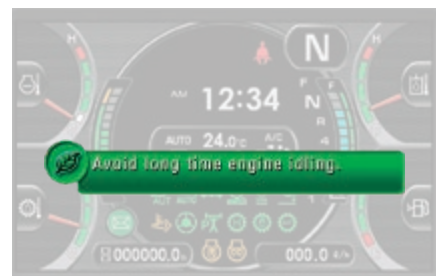
The monitor panel displays instant guidance messages to help promote energy saving, and the Eco-gauge indicates the actual fuel consumption: keep the Eco-gauge in the green zone for better fuel efficiency. To further improve savings, logs can be consulted for operations, Eco guidance and fuel consumption. The information is available in KOMTRAX and can be used for operator trainings and jobsite optimisation.



Information at a glance: basic dashboard LCD monitor



A multifunction monitor displays and controls a wealth of operational and maintenance information



Eco guidance supports energy saving in real time (e.g. avoid long time engine idling)

# KOMTRAX

## The way to higher productivity

KOMTRAX uses the latest wireless monitoring technology. Compatible on PC, smartphone or tablet, it delivers insightful and cost saving information about your fleet and equipment, and offers a wealth of information to facilitate peak machine performance. By creating a tightly integrated web of support it allows proactive and preventive maintenance and helps to efficiently run a business.



## Knowledge

You get quick answers to basic and critical questions about your machines – what they're doing, when they did it, where they're located, how they can be used more efficiently and when they need to be serviced.

Performance data is relayed by wireless communication technology (satellite, GPRS or 3G depending on model) from the machine to a computer and to the local Komatsu distributor – who's readily available for expert analysis and feedback.

## Power

The detailed information that KOMTRAX puts at your fingertips 24 hours a day, 7 days a week gives the power to make better daily and long-term strategic decisions – at no extra cost. Problems can be anticipated, maintenance schedules customised, downtime minimised and machines kept where they belong: working on the jobsite.

## Convenience

KOMTRAX enables convenient fleet management on the web, wherever you are. Data is analysed and packaged specifically for effortless and intuitive viewing in maps, lists, graphs and charts. You can foresee eventual maintenance issues and required spare parts, and troubleshoot a problem before Komatsu technicians arrive on site.



# Easy Maintenance



## Easy access to service points

For easy and safe opening the gull-wing doors are supported by gas springs. The large doors give a convenient access from ground level to all daily service points. With long service intervals and filters collected in a centralised arrangement, machine downtime is reduced to a minimum.

## Komatsu CARE™

Komatsu CARE™ is a maintenance program that comes as standard with your new Komatsu machine. It covers factory-scheduled maintenance, performed with Komatsu Genuine parts by Komatsu-trained technicians. Depending on your machine's engine, it also offers extended coverage of the Komatsu Diesel Particulate Filter (KDPF) or the Komatsu Diesel Oxidation Catalyst (KDOC), and of the Selective Catalytic Reduction (SCR). Please contact your local Komatsu distributor for terms and conditions.



## Wide-core radiator with auto reverse fan

A wide-core radiator prevents clogging even when working in a dusty environment. To minimize manual cleaning, a reversible fan blows dust out, automatically or on demand. The "automatic reverse" function allows to set the cleaning length and the time between cleaning to adjust perfectly to the working conditions.

## Equipment Management and Monitoring System (EMMS)

The large high resolution monitor panel displays various machine information and allows for multiple settings. The "Operation Records" menu shows records of the average fuel consumption, idling hours, and other features. Abnormality codes are clearly displayed and stored to alert you and simplify troubleshooting. The monitor also provides for advanced monitoring of the system parameters through the service mode to aid in troubleshooting and reduce downtime.



## AdBlue® tank

The AdBlue® tank is located on the right hand side of the machine behind a ladder for easy access.

## Factory fitted automatic lubrication system

The automatic lubrication system reduces the daily service work to the absolute minimum. Robust piping ensures consistent lubrication and operating reliability, and significantly increases the machine's service life. The system is electronically monitored and features a signal light in the cabin.



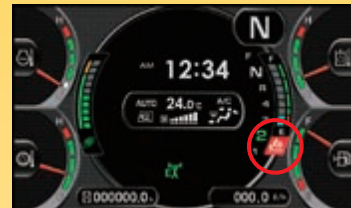
WA200-8



Basic maintenance screen



Self-diagnostic monitor



AdBlue® level gauge and refill guidance





## Working gear division

Komatsu wheel loaders combined with a wide range of genuine Komatsu attachments provide the perfect solution for any industry sector. For special applications our “Working Gear” division offers purpose-built machines and attachments. The tailor made solutions allow high performance and outstanding reliability even under toughest conditions.

## Waste handling

We adapt our wheel loaders to the different conditions that exist on waste handling job sites. Along with heavy duty attachments, we offer solutions to protect your machine against damage.

## Agriculture

Simple handling, reliability and comprehensive safety features make Komatsu “agriculture” wheel loaders the ideal tools for contractors or large farms, for loading or for material handling. They are fitted with robust protection and safety equipment to provide perfect protection for both operator and machine.



# Quality You Can Rely On

## Designed and built by Komatsu

The engine, hydraulics, power train, front and rear axles are original Komatsu components. All these components are subject to the highest quality standards right down to the smallest screw. All components are fully co-ordinated with one another, thus offering the maximum efficiency and reliability.

## Heavy-duty axles

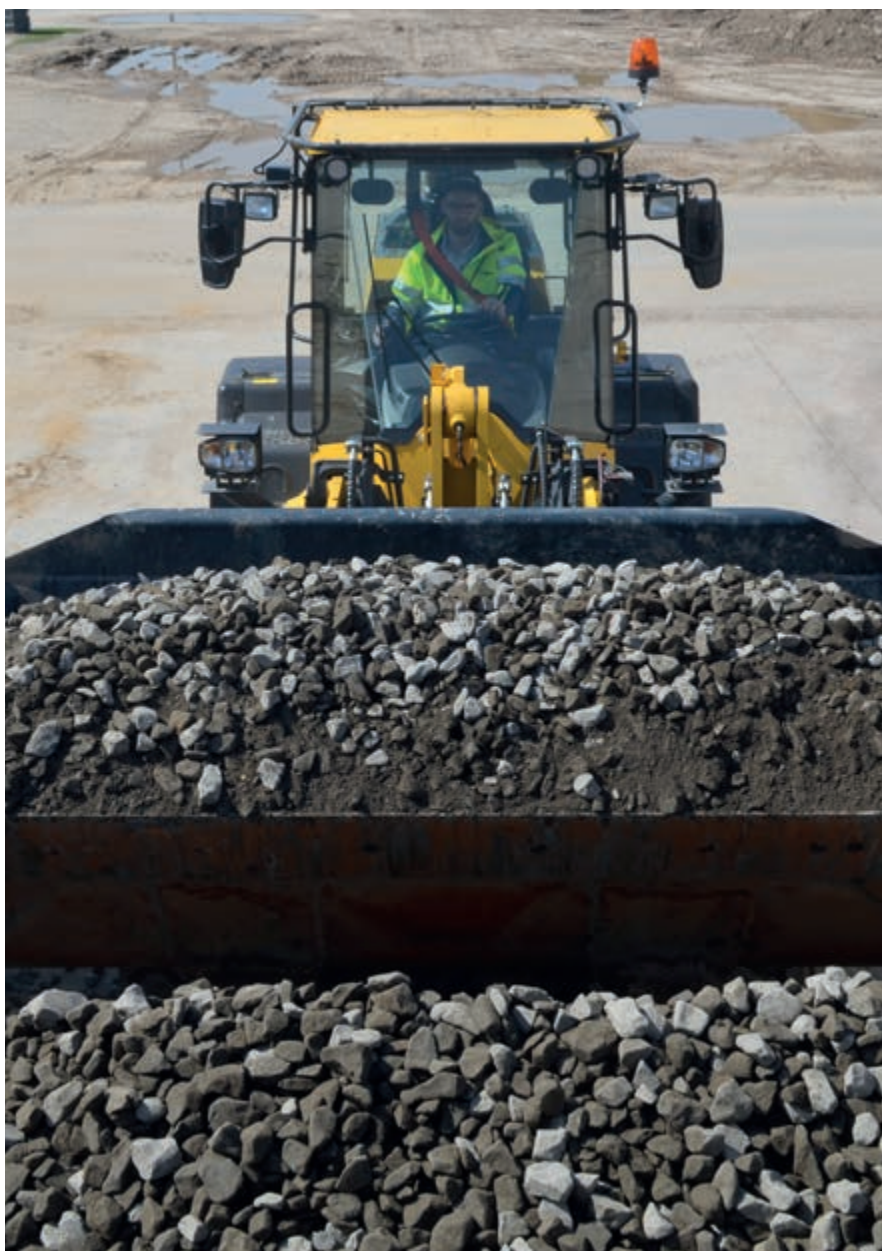
The heavy-duty axles allow exceptional service life even under the toughest working conditions. As standard, the WA200-8 is equipped with torque proportional differentials for work on good ground conditions such as on concrete yards or roads. The optional limited slip differentials are most suitable for soft and slippery ground like sand or wet soil.

## HST drive line with overrun protection

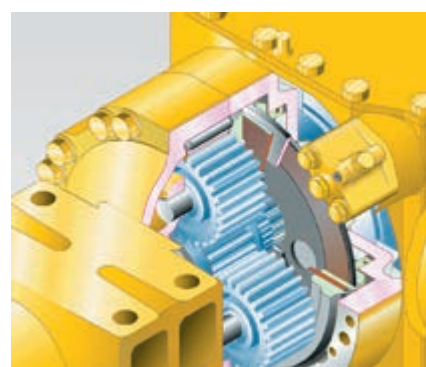
The hydrostatic drive line is equipped with an overrun protection that electronically limits the top speed when driving downhill and thus ensures the long service life of the power train and the drive line system.

## Wet multi-disc service brake

The multi-disc service brake is encapsulated and runs in an oil bath. The brake stays clean and operates at low temperature for increased service intervals and a long lifetime.



Robust torsion-resistant main frame



Wet multi-disc service brake

# Buckets and Attachments



## High efficiency bucket range

The Komatsu high efficiency buckets enable easier bucket fill and significantly higher fill factors, contributing to more efficiency and less fuel consumption. They feature a longer bottom for more bucket content, a wider opening for an easier fill and a new rear shape that enables material to flow easily into the bucket. Their rounded sides give them a higher fill factor, and an integrated spill guard protects the bucket linkage.

## High efficiency flat bottom buckets

The flat bottom bucket is used for soft grounds applications that require occasional grading passes, easily performed with the bucket's rear edge. This one-piece bottom bucket type is also suitable for earthmoving applications and for loading adhesive material.

## High efficiency raised bottom buckets

The raised bottom bucket is suitable for hard surfaces applications with a high digging ratio. It excels with its outstanding penetration and breakout performance, together with good material retention. The combination of a rounded back side and convex side walls results in high bucket fill factors and minimal spillage during material transport.

# Specifications

## ENGINE

Model	Komatsu SAA4D107E-3
Type	Common rail direct injection, water-cooled, emissionised, turbocharged, after-cooled diesel
Engine power	
at rated engine speed	2.000 rpm
ISO 14396	95,2 kW / 128 HP
ISO 9249 (net engine power)	94,0 kW / 126 HP
No. of cylinders	4
Bore × stroke	107 × 124 mm
Displacement	4,46 l
Battery	2 × 110 Ah
Alternator	90 A
Air-filter type	Dry-air filter with automatic dust emission and preliminary purification including a dust display
Fuel	Diesel fuel, conforming to EN590 Class 2/Grade D. Paraffinic fuel capability (HVO, GTL, BTL), conforming to EN 15940:2016

## TRANSMISSION

Drive system	Electronically controlled hydrostatic transmission, switchable in all directions under full power. Fixed ratio gearbox. Variable speed limiter.
Hydrostatic pump	1 variable piston pump
Hydrostatic motor	2 variable piston motors
Speed ranges (forwards/backwards)	4/4
Max. travel speeds (forwards/backwards) (tyres 20.5 R25)	
1. speed range	5,2 - 14,3 km/h
2. speed range	14,3 km/h
3. speed range	23,2 km/h
4. speed range	38,0 km/h

## CHASSIS AND TYRES

System	4-wheel drive
Front axle	Komatsu HD axle, semi-floating, fixed type, TPD-differential (LSD-differential optional)
Rear axle	Komatsu HD axle, semi-floating, centre-pin support, 24° swing angle, TPD-differential (LSD-differential optional)
Reduction gear	Spiral bevel gear
Differential	Straight bevel gear pair
Final drive	Planetary gear in oil bath
Tyres	20.5 R25 (standard)

## SERVICE REFILL CAPACITIES

Cooling system	26,5 l
Fuel tank	177 l
Engine oil	15,5 l
Hydraulic system	58 l
Axle front	18,5 l
Axle rear	18 l
Transfer	5 l
AdBlue® tank	21,1 l

## BRAKES

Operating brakes	Completely hydraulic dual-circuit system, running in oil bath, multi-disc brakes on all wheels, service-free
Parking brake	Operated electronically, running in oil bath, multi-disc brake, service-free
Emergency brake	Uses the parking brake

## HYDRAULIC SYSTEM

Hydraulic pump	Gear pump
Working pressure (max.)	210 kg/cm <sup>2</sup>
Maximum pump flow	85 + 54 l/min
No. of boom/bucket cylinders	2/1
Bore diameter × stroke	
Boom cylinder	125 × 674 mm
Bucket cylinder	150 × 504 mm
Hydraulic control lever	Servo-controlled, single lever
Hydraulic cycle with rated load bucket filling	
Raise time	5,7 s
Lowering time (empty)	3,2 s
Dumping time	1,9 s

## STEERING SYSTEM

System	Articulated frame steering
Type	Completely hydraulic power steering
Steering angle to either side	40°
Steering pump	Gear pump
Working pressure	210 kg/cm <sup>2</sup>
Pumping capacity	85 l/min
No. of steering cylinders	2
Bore diameter × stroke	70 × 453 mm

## CABIN

Two-door SpaceCab™ in conformity with ISO 3471 with ROPS (roll over protective structure) in conformity with SAE J1040c and FOPS (falling object protective structure) in conformity with ISO 3449. The air-conditioned pressurised cabin is mounted upon hydrobearings and is noise dampened.

## ENVIRONMENT

Engine emissions	Fully complies with EU Stage IV exhaust emission regulations
Noise levels	
LwA external	104 dB(A) (2000/14/EC Stage II)
LpA operator ear	70 dB(A) (ISO 6396 dynamic test)
Vibration levels (EN 12096:1997)	
Hand/arm	≤ 2,5 m/s <sup>2</sup> (uncertainty K = 0,45 m/s <sup>2</sup> )
Body	≤ 0,5 m/s <sup>2</sup> (uncertainty K = 0,26 m/s <sup>2</sup> )
Contains fluorinated greenhouse gas HFC-134a (GWP 1430). Quantity of gas 0,9 kg, CO <sub>2</sub> equivalent 1,29 t.	

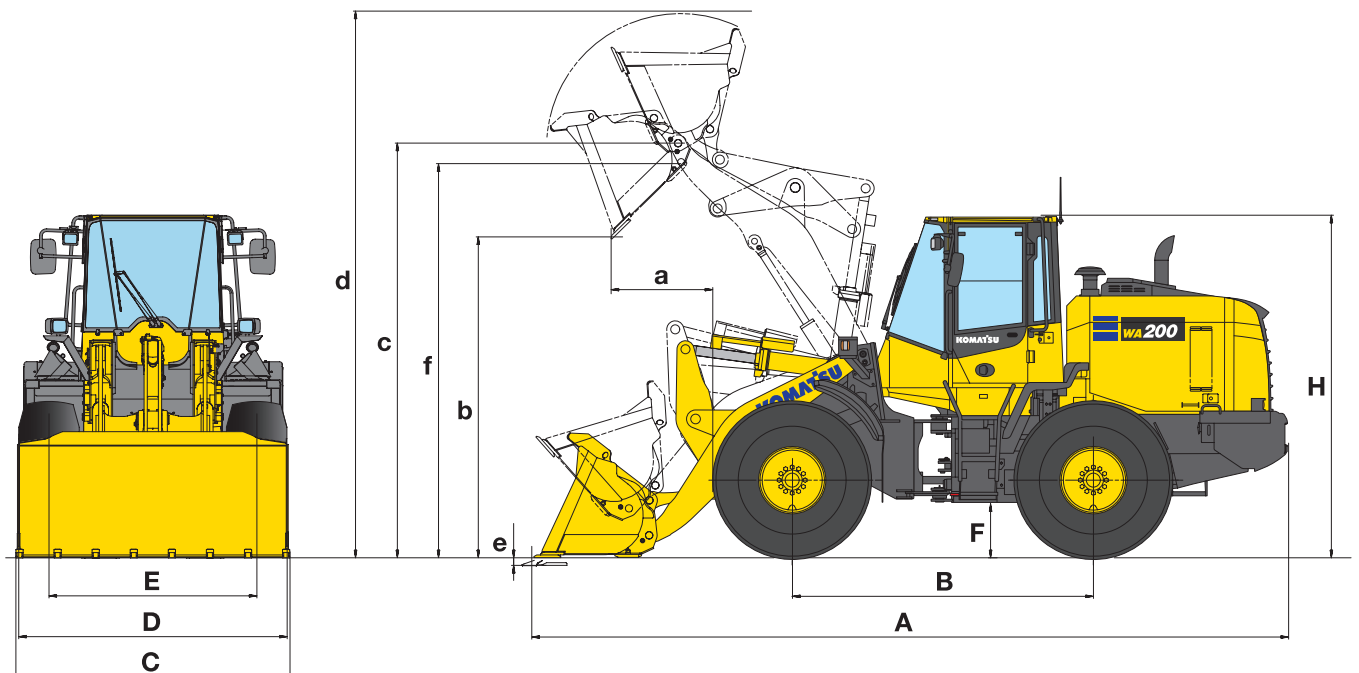
# Dimensions & Performance Figures

## MEASUREMENTS AND WORKING SPECIFICATIONS

Bucket type	Bucket with flat bottom				
		w. teeth	w. BOC	w. teeth	w. BOC
Bucket mount (direct/quick-coupler)		direct	direct	QC	QC
Bucket capacity (heaped, ISO 7546)	m <sup>3</sup>	<b>1,9</b>	<b>2,0</b>	<b>1,9</b>	<b>2,0</b>
Sales code	3815	C46	C47	C76	C77
Material density	t/m <sup>3</sup>	2,0	1,8	1,8	1,7
Bucket weight	kg	900	973	870	943
Static tipping load, straight	kg	9.316	9.168	8.550	8.407
Static tipping load, 40° articulated	kg	8.176	8.034	7.469	7.331
Break-out force hydraulic	kN	110,3	104,3	90,3	86,3
Lifting capability hydr. at ground level	kN	93,5	92,7	92,9	92,1
Operating weight	kg	11.880	11.950	12.160	12.235
Turning radius at corner of tyres	mm	5.150	5.150	5.150	5.150
Turning radius at bucket edge	mm	5.757	5.723	5.828	5.793
a Reach at 45°	mm	1.090	978	1.235	1.123
b Dumping height at 45°	mm	2.859	2.937	2.701	2.778
c Hinge pin height	mm	3.885	3.885	3.885	3.885
d Height top edge of bucket	mm	5.244	5.244	5.386	5.386
e Digging depth	mm	85	110	95	120
f Max. loading height at 45°	mm	3.650	3.650	3.640	3.640
A Overall length, bucket grounded	mm	7.305	7.191	7.528	7.414
B Wheel base	mm	2.840	2.840	2.840	2.840
C Bucket width	mm	2.540	2.540	2.540	2.540
D Width over tyres	mm	2.470	2.470	2.470	2.470
E Track width	mm	1.930	1.930	1.930	1.930
F Ground clearance	mm	495	495	495	495
H Overall height	mm	3.200	3.200	3.200	3.200

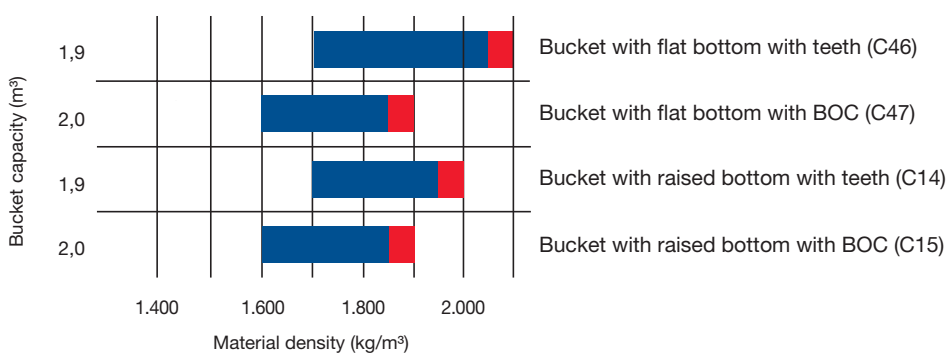
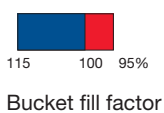
All measurements with tyres 20.5 R25.

BOC: bolt-on cutting edge

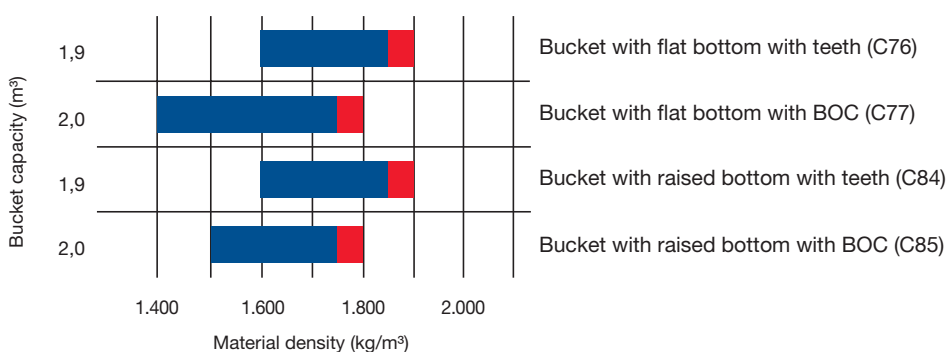
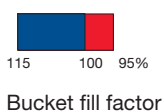


Bucket with raised bottom				Change in data caused by:		
w. teeth	w. BOC	w. teeth	w. BOC	High-lift equipment	Tyres 17.5R25 EM VSW L2	Tyres 20.5R25 XMINE L5
direct	direct	QC	QC			
<b>1,9</b>	<b>2,0</b>	<b>1,9</b>	<b>2,0</b>			
C14	C15	C84	C85			
2,0	1,8	1,8	1,7	-0,3		
885	958	839	912			
9.342	9.194	8.592	8.447	-2.100	-220	+370
8.200	8.059	7.509	7.371	-1.900	-195	+370
110,3	104,3	90,3	86,3			
93,6	92,8	93,2	92,5	-25		
11.865	11.935	12.130	12.205	+150	-330	+680
5.150	5.150	5.150	5.150			
5.757	5.723	5.828	5.793	+200		
1.090	978	1.235	1.123	+70	+70	-20
2.859	2.937	2.701	2.778	+435	-75	+25
3.885	3.885	3.885	3.885	+440		
5.244	5.244	5.386	5.386	+440		
85	110	95	120	+85		
3.650	3.650	3.640	3.640	+445		
7.305	7.191	7.528	7.414	+490		
2.840	2.840	2.840	2.840			
2.540	2.540	2.540	2.540			
2.470	2.470	2.470	2.470		-75	
1.930	1.930	1.930	1.930			
495	495	495	495			
3.200	3.200	3.200	3.200		-75	+25

**BUCKET SELECTION GUIDE (DIRECT)**



**BUCKET SELECTION GUIDE (QC)**

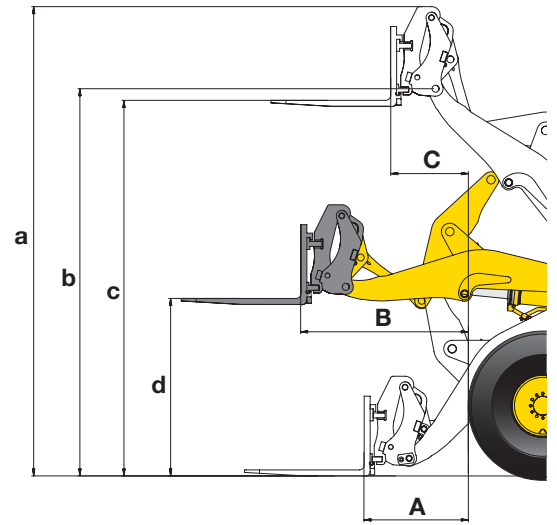


# Dimensions & Performance Figures

## FORK TINES

HIGH-LIFT

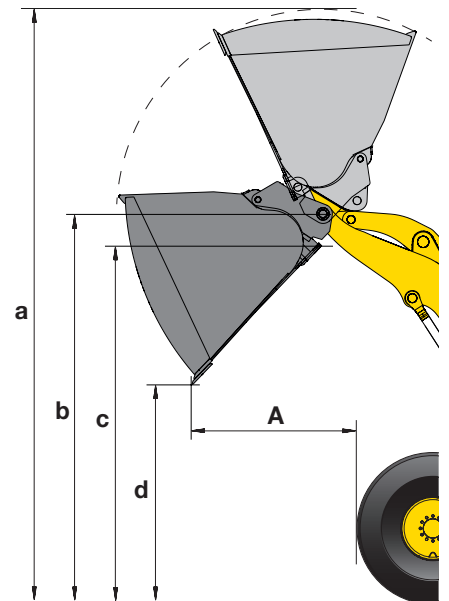
Sales code	C57	C57
Fork tine length	mm 1.200	1.200
A Max. reach at ground level	mm 1.045	1.536
B Max. reach	mm 1.680	2.070
C Max. reach at max. stacking height	mm 780	1.145
a Max. height fork-carrier	mm 4.705	5.150
b Hinge pin height	mm 3.885	4.325
c Max. stacking height	mm 3.765	4.215
d Height of forks at maximum reach	mm 1.780	1.780
Max. tipping load, straight	kg 6.640	5.315
Max. tipping load, articulated	kg 5.820	4.610
Max. payload as per EN 474-3, 80%	kg 4.520	3.690
Max. payload as per EN 474-3, 60%	kg 3.390	2.770
Weight in working order with fork tines	kg 11.845	12.000



## LIGHT MATERIAL BUCKET

HIGH-LIFT

Sales code	Q364	Q854
Bucket capacity (heaped, ISO 7546)	m³ 3,2	3,2
Tube style spill guard	without	with
Bucket mount (direct/quick-coupler)	QC	QC
Material density	t/m³ 1,0	0,8
Bucket width	mm 2.550	2.550
Bucket weight	kg 1.060	1.060
A Reach at 45°	mm 1.270	1.710
a Height top edge of bucket	mm 5.375	5.815
b Hinge pin height	mm 3.885	4.325
c Max. loading height at 45°	mm 3.560	4.000
d Dump height at 45°	mm 2.430	2.870
Static tipping load, 40° articulated (L3 tyres)	kg 7.340	5.425
Static tipping load, 40° articulated (L5 tyres)	kg 7.770	5.785
Operating weight (L3 tyres)	kg 12.350	12.455
Operating weight (L5 tyres)	kg 12.970	13.110



## TYPICAL MATERIAL DENSITY – LOOSE (IN KG/M³)

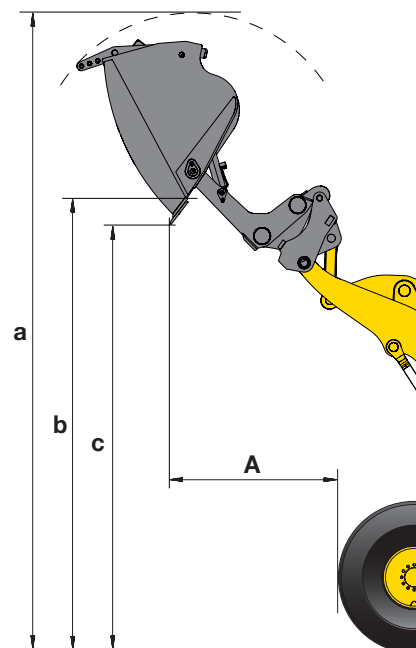
Basalt .....	1.960	Gravel, unscreened .....	1.930	Sandstone .....	1.510
Bauxite, Kaolin .....	1.420	Gravel, dry .....	1.510	Slate .....	1.250
Earth, dry, ex store .....	1.510	Gravel, dry, 6-50 mm .....	1.690	Slag, broken .....	1.750
Earth, wet, excavated .....	1.600	Gravel, wet, 6-50 mm .....	2.020	Stone, crushed .....	1.600
Gypsum, broken .....	1.810	Sand, dry, loose .....	1.420	Clay, natural .....	1.660
Gypsum, crushed .....	1.600	Sand, damp .....	1.690	Clay, dry .....	1.480
Granite, broken .....	1.660	Sand, wet .....	1.840	Clay, wet .....	1.660
Limestone, broken .....	1.540	Sand and clay, loose .....	1.600	Clay and gravel, dry .....	1.420
Limestone, crushed .....	1.540	Sand and gravel, dry .....	1.720	Clay and gravel, wet .....	1.540

All measurements with tyres 20.5 R25 and standard counterweight

**HIGH-DUMP BUCKET (WASTE HANDLING)**

		HIGH-LIFT			
		Q863	Q864	Q865	Q866
Sales code		Q863	Q864	Q865	Q866
Bucket capacity (heaped, ISO 7546)	m <sup>3</sup>	3,5	3,5	2,5	2,5
Tube style spill guard		with	with	with	with
Bucket mount (direct/quick-coupler)		direct	QC	direct	QC
Material density	t/m <sup>3</sup>	0,8	0,8	0,8	0,8
Bucket width	mm	2.550	2.550	2.550	2.550
Bucket weight	kg	2.120	1.950	1.780	1.700
A Reach at 45°	mm	1.535	1.670	1.400	1.600
a Height top edge of bucket	mm	5.885	6.150	6.300	6.630
b Max. loading height at 45°	mm	4.440	4.500	4.730	5.035
c Dump height at 45°	mm	4.280	4.500	4.480	4.805
Static tipping load, 40° articulated (L3 tyres)	kg	6.415	6.435	5.000	4.750
Static tipping load, 40° articulated (L5 tyres)	kg	6.840	6.860	5.355	5.100
Operating weight (L3 tyres)	kg	13.035	13.210	12.875	13.095
Operating weight (L5 tyres)	kg	13.690	13.860	13.525	13.750

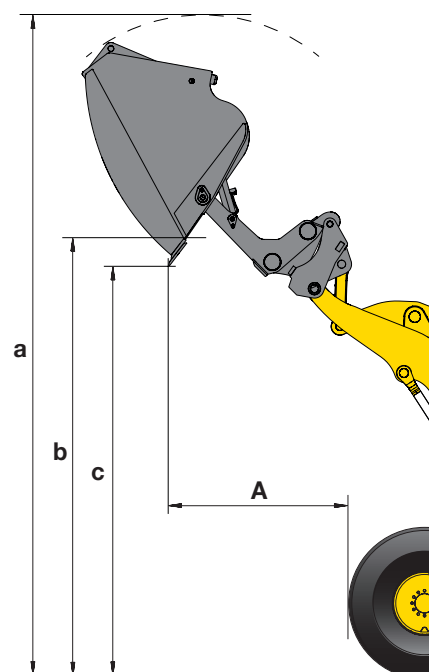
Type B, dump cylinders located outside bucket



**HIGH-DUMP BUCKET (BULK MATERIALS)**

		HIGH-LIFT			
		Q413	Q414	Q461	Q462
Sales code		Q413	Q414	Q461	Q462
Bucket capacity (heaped, ISO 7546)	m <sup>3</sup>	2,5	2,5	3,5	3,5
Tube style spill guard		without	without	without	without
Bucket mount (direct/quick-coupler)		direct	QC	direct	QC
Material density	t/m <sup>3</sup>	1,1	1,1	0,6	0,6
Bucket width	mm	2.550	2.550	2.550	2.550
Bucket weight	kg	1.780	1.700	2.120	1.950
A Reach at 45°	mm	1.330	1.530	1.605	1.740
a Height top edge of bucket	mm	5.860	6.190	6.325	6.590
b Max. loading height at 45°	mm	4.285	4.590	4.885	4.945
c Dump height at 45°	mm	4.045	4.370	4.715	4.935
Static tipping load, 40° articulated (L3 tyres)	kg	6.805	6.645	4.440	4.520
Static tipping load, 40° articulated (L5 tyres)	kg	7.230	7.075	4.780	4.850
Operating weight (L3 tyres)	kg	12.725	12.960	13.210	13.345
Operating weight (L5 tyres)	kg	13.380	13.610	13.865	14.000

Type B, dump cylinders located outside bucket



**TYPICAL MATERIAL DENSITY (IN TON/M<sup>3</sup>) FOR LIGHT MATERIAL AND HIGH-DUMP BUCKETS**

Waste glass, fine .....	1,4	Waste paper, loose .....	0,6
Waste glass, coarse .....	1,0	Waste paper, processed .....	1,0
Compost, dry .....	0,8	Hard coal, high density .....	1,2
Compost, wet .....	1,0	Hard coal, low density .....	0,9
Wood chips, saw dust .....	0,5	Domestic waste, loose & dry .....	0,8

All measurements with tyres 20.5 R25 and standard counterweight

# Standard and Optional Equipment

## ENGINE

Komatsu SAA4D107E-3 turbocharged common rail direct injection diesel engine	●
EU Stage IV compliant	●
Komatsu SmartLoader Logic	●
Adjustable idle shutdown	●
Auto-deceleration function	●
Fuel filter with water separator	●
Batteries 2 × 110 Ah / 2 × 12 V	●

## TRANSMISSION AND BRAKES

Electronically controlled HST with 2-motor system	●
Speed control with fine adjustment in 1st speed range	●
Traction control system (K-TCS)	●
Fully hydraulic brake system	●
Combined brake/inching pedal	●
20 km/h limited hydrostatic driveline	○
25 km/h limited hydrostatic driveline	○

## CHASSIS AND TYRES

Heavy-duty axles	●
TPD-differential front and rear	●
Power train guard	●
Limited-slip differential (LSD) front and rear	○
Tyres 17.5 R25 L3, L5	○
Tyres 20.5 R25 L3, L4, L5	○
Agricultural tyres	○

## ATTACHMENTS

Hydraulic quick-coupler	○
High efficiency buckets with flat or raised bottom	○
High-dump buckets	○
Light material buckets	○
Waste handling buckets	○
Fork carrier and tines	○
Log grapple	○

## CABIN

Spacious double door driver's cab to DIN/ISO	●
ROPS/FOPS frame according to SAE	●
Heated, high back air suspension seat with lumbar support, console mounted height adjustable arm rests	●
Retractable seat belt	●
Automatic climate control system	●
Multi-function video compatible colour monitor with Equipment Management and Monitoring System (EMMS) and efficiency guidance	●
DAB+ digital radio w. auxiliary input (MP3 jack)	●
Hot and cool box	●
Heated rear window	●
Rear window wiper	●
Adjustable steering column	●
2 × 12 V power supply	●
3-point seat belt	○
Sun roller blind	○

## SERVICE AND MAINTENANCE

Hydrostat-driven radiator fan with automatic reversing function	●
Wide-core radiator	●
KOMTRAX – Komatsu wireless monitoring system (3G)	●
Komatsu CARE™ – a maintenance program for Komatsu customers	●
Tool-set	●
Automatic central lubrication	●
Filling tool for central lubrication system	○
Turbo II air pre-cleaner, cyclone type	○

## HYDRAULIC SYSTEM

3-spool main control valve including boom piping	●
PPC multi-function lever with electronic control for 3rd spool (EPC)	●
Automatic return-to-dig	●
Biodegradable oil for hydraulic system	○

## SAFETY EQUIPMENT

Emergency steering system	●
Vandalism protection	●
Back-up alarm	●
Battery main switch	●
Handrails on left/right	●
Rear-view camera system	●
Front screen protective grid	○
Fire extinguisher	○
Beacon light	○
Roof rail	○
Rear view mirror, heated and remote control	○
Optical back-up alarm (strobe light)	○

## LIGHTING SYSTEM

2 halogen main headlights	●
2 spotlights at front and rear	●
Reversing light	●
Additional lights front and rear	○
LED working lights	○
Xenon working lights	○

## OTHER EQUIPMENT

PZ-kinematics: Z-bar boom with parallel movement	●
Counterweight	●
Electronically controlled load stabilizer (ECSS)	○
High-lift equipment	○
Special custom colour	○
Anti-corrosion specification	○
Waste-handler specification	○
Agriculture specification	○
Cold area kit (engine and cab pre-heating)	○

The WA200-8 is equipped in accordance with the safety regulations of the machinery guidelines 89/392 EWG ff and EN474.

- standard equipment
- optional equipment

Your Komatsu partner:

# KOMATSU

**Komatsu Europe  
International N.V.**

Mechelsesteenweg 586  
B-1800 VILVOORDE (BELGIUM)  
Tel. +32-2-255 24 11  
Fax +32-2-252 19 81  
[www.komatsu.eu](http://www.komatsu.eu)

VENSS06305 03/2020

**KOMATSU** is a trademark of Komatsu Ltd. Japan.