

# KOMATSU

## **WB93S-8**

*EU Stage IV Engine*

**4 WHEEL STEERING BACKHOE LOADER**

**PRELIMINARY**



# WB93S

**ENGINE POWER**

75 kW / 101 HP @ 2.300 rpm

**OPERATING WEIGHT**

8.940 kg

**BUCKET CAPACITY**

1,1 m<sup>3</sup> (Standard bucket)

# Walk-Around

WB935-8





## Increased Efficiency and Environmental Performance

### **Powerful and Environmentally Friendly**

- NEW** • EU Stage IV engine
- Up to 3% lower fuel consumption (vs. WB93S-5)
- NEW** • Viscous fan clutch
- NEW** • New monitoring system with Eco gauge and Eco guidance

### **First-Class Comfort**

- NEW** • Multi-function monitor with high resolution 7" LCD color display
- NEW** • Air-suspended operator seat (Standard)
- NEW** • New ergonomic switch layout for the operator console
- NEW** • Dial type fuel control and electric accelerator pedal
- NEW** • New styling, state-of-the-art Komatsu design
- NEW** • 4WS user friendly guidance system

### **Safety First**

- NEW** • Anti-burst valves for stabilizers, boom and arm (Standard)
- NEW** • Emergency engine stop switch
- NEW** • Seat belt caution indicator
- NEW** • Street mode function

### **Easy Maintenance**

- NEW** • Easy refilling from ground level for hydraulic oil, AdBlue® and fuel
- NEW** • Maintenance information displayed on the monitor

### **Total versatility**

- 3 steering modes: 2WS, 4WS, crab
- Hydraulic side shift available
- Flip over forks and pallet forks available
- Quick couplers for the front and rear buckets

### **KOMTRAX**

- Komatsu Wireless Monitoring System
- NEW** • 4G mobile communications
- NEW** • Increased operational data and fuel savings

**ENGINE**

Model	Komatsu SAA4D99E-1
Type	Common rail direct injection, water-cooled, emissionised, turbocharged, after-cooled diesel
Engine power	
at rated engine speed	2.300 rpm
ISO 14396	75 kW / 101 HP
Displacement	3,4 l
Cooling fan	Viscous fan clutch

**ENVIRONMENT**

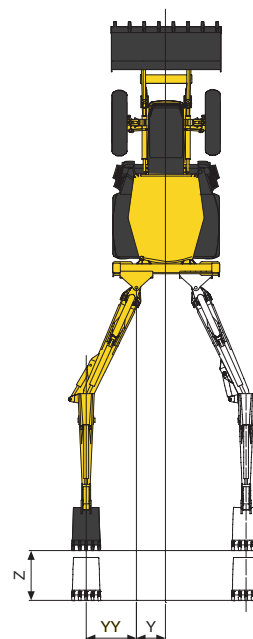
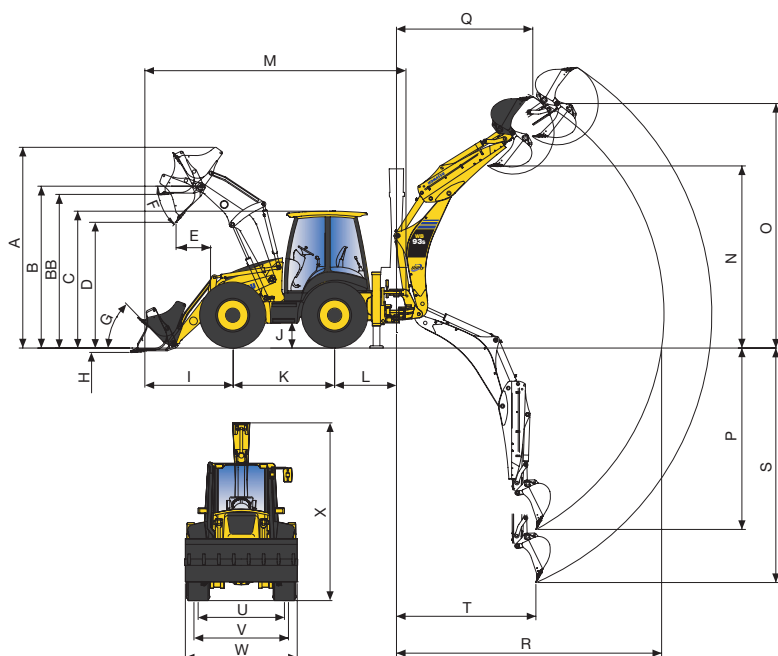
Engine emissions	Fully complies with EU Stage IV exhaust emission regulations
Noise levels	Noise levels (external/internal) fully comply with 2000/14/EC Stage 2 and 98/37/EC

**Hydraulic system**

System	SynchroSystem with Speed-up function for loader arm
Type	CLSS. Closed-centre system with load sensing and pressure compensation valves
No. of working modes	2 (Power / Economy)
Hydraulic pump	Variable displacement axial pistons

**STEERING SYSTEM**

System	4 wheel steering (3 modes) with electronic alignment
Turning radius (without using brakes)	
at bucket edge	4.770 mm
at corner of tyres	4.175 mm



A	max height	4.305 mm
B	pin height	3.475 mm
BB	forks loading max height	3.145 mm
C	cab height	2.950 mm
D	max dumping height	2.825 mm
E	max dumping reach (45°)	645 mm
F	dumping angle	42°
G	rollback angle	45°
H	digging depth	200 mm
I	bucket reach (in transport)	2.105 mm
J	ground clearance	410 mm
K	wheel base	2.215 mm
L	backhoe swing centre distance	1.325 mm
M	transport length	5.965 mm
N	dumping height SAE	3.920 mm
	max dumping height	4.270 mm
	- with extended telescopic SAE	4.610 mm
	- with extended telescopic max	4.995 mm

O	max digging height	5.895 mm
	- with extended telescopic	6.520 mm
P	digging depth SAE	4.225 mm
	- with extended telescopic	5.335 mm
Q	reach at max height	2.830 mm
	- with extended telescopic	3.875 mm
R	max reach from swing centre	5.750 mm
	- with extended telescopic	6.760 mm
S	max digging depth	4.825 mm
	- with telescopic	5.780 mm
T	digging reach	2.330 mm
U	rear tread	1.950 mm
V	front tread	1.950 mm
W	max. overall width (with bucket)	2.440 mm
X	transport hoe height	3.835 mm
	- with telescopic	3.980 mm